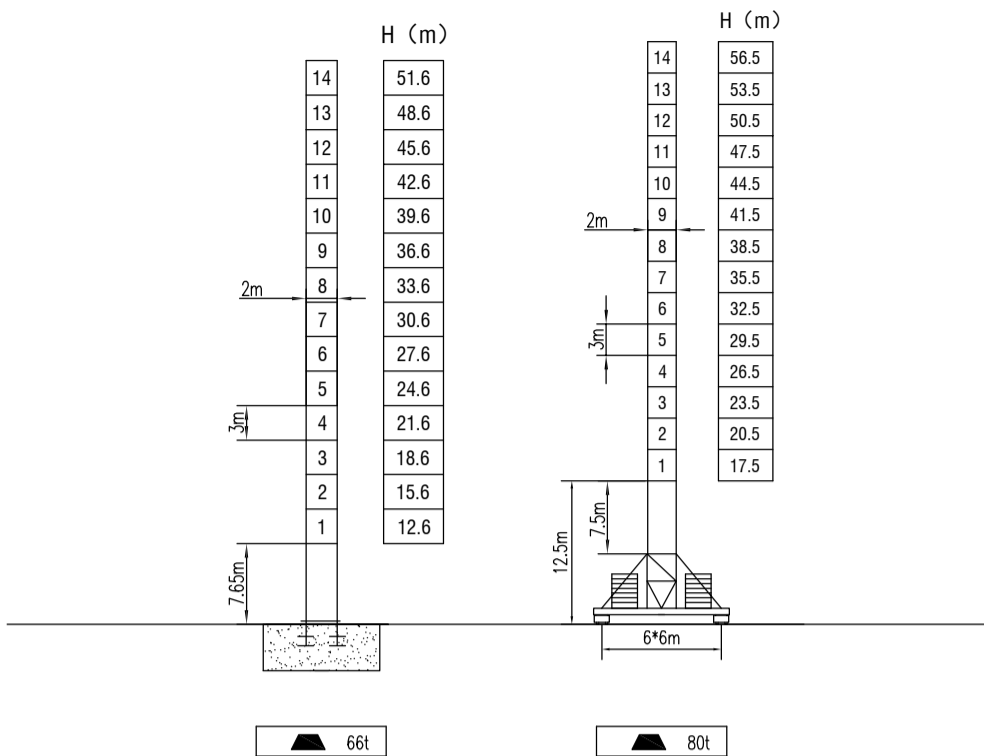


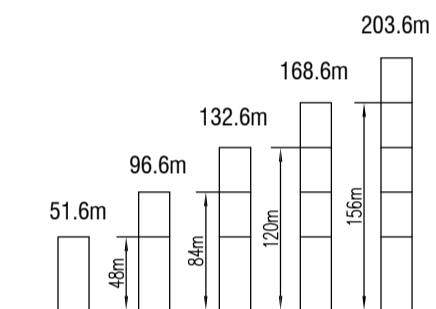
**MILISCORP**

MAST SECTION



F REACTIONS	○ IN SERVICE ■ OUT OF SERVICE	▲ WITH LONGEST JIB AND FREE HEIGHT ▲ SELF LOAD WITHOUT LOAD AND COUNTER-WEIGHT
-------------	----------------------------------	-----------------------------------------------------------------------------------

ANCHORAGES



LOAD DIAGRAMS

Radius	R(Cmax)/m	15	20	25	30	35	40	45	50	55	60	65	70	75	m
75m	14.9 / 16.0	15.92	11.44	8.82	7.1	5.89	4.99	4.3	3.75	3.29	2.92	2.6	2.35	2.2	t
	27.9 / 8.0		8.0	7.36	6.16	5.27	4.58	4.03	3.58	3.21	2.9	2.65	2.5	t	
70m	16.5 / 16.0	16.0	12.87	9.97	8.08	6.74	5.74	4.97	4.36	3.86	3.45	3.1	2.8	t	
	31.3 / 8.0		8.0	7.06	6.06	5.28	4.67	4.17	3.75	3.4	3.1			t	
65m	17.7 / 16.0	16.0	13.98	10.88	8.84	7.4	6.34	5.51	4.85	4.32	3.88	3.5		t	
	33.3 / 8.0		8.0	7.58	6.52	5.7	5.05	4.51	4.07	3.7				t	
60m	18.5 / 16.0	16.0	14.68	11.43	9.3	7.79	6.68	5.81	5.13	4.57	4.1			t	
	34.9 / 8.0		8.0	7.97	6.86	6.0	5.32	4.76	4.3					t	
55m	19.3 / 16.0	16.0	15.35	11.96	9.74	8.17	7.0	6.10	5.38	4.8				t	
	36.4 / 8.0		8.0	7.19	6.29	5.58	5.0							t	
50m	19.9 / 16.0	16.0	15.9	12.4	10.1	8.48	7.27	6.34	5.6					t	
	37.6 / 8.0		8.0	7.47	6.54	5.8								t	
45m	20.6 / 16.0	16.0	12.87	10.49	8.81	7.56	6.6							t	
	38.9 / 8.0		8.0	7.76	6.8									t	

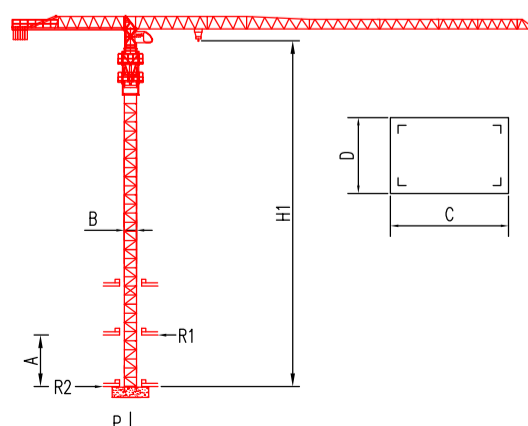
COUNTER-JIB BALLAST

Radius	Counter-jib Ballast (t)
75m	20.96t
70m	18.96t
65m	18.96t
60m	18.25t
55m	17.42t
50m	16.59t
45m	15.88t

TECHNICAL PARAMETER

MECHANISMS												
Hoisting	75LVF	m/min	0-3.2	0-76	0-108	0-1.6	0-38	0-54	m	kw		
		t	8	4	2	16	8	4	> 800	75		
Trolleying	7.5TVF		0-80								7.5	
Slewing	9SVT		0-0.8								9*2	
	RCV145		0-0.7								145NMx2	
Travelling	5.5TVF		0-30								5.5x4	
Power supply			380v.50Hz / 440v.60Hz									
Necessary electric power			140KVA									

INNER CLIMBING



A	12M-19m
B	2m
C	2.58m
D	2.17m
H1	45.6m
R1	
R2	
*P	

\* No coefficient in service

\* The technical information can not be published without approval. The specifications are not subject to legal constraints due to continually products improved, the performance data will be modified without notice.