

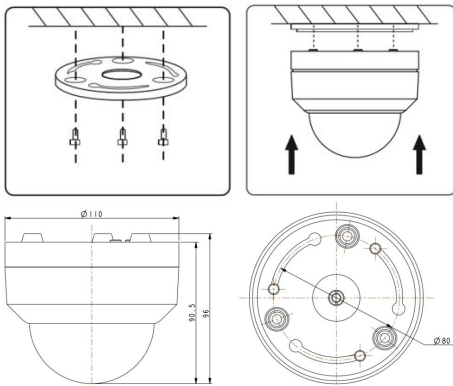
2.0/5.0MP 4X Optical Zoom IR Dome Waterproof IP PTZ Camera



Features

- * HD-IP dome camera, indoor
- 1/3" CMOS, 2.0/5.0 Megapixels, 4X optical zoom
- * HD-IP digital interface output, 2.0/5.0MP high definition image
- * PWM function, intelligent IR illumination & power consumption is variable, dependant the zoom facto
- * IR distance 50M
- * Support P2P function
- * ONVIF2.4 compatible; good compatibility with NVRs like DAHUA HIKVISION, JUFENG and AXXON, Milestone and so on

Dimension



Accessories

- Instruction book
- Warrant card
- Screw fittings
- Desiccant

Product Name	2.0/5.0MP 4X Optical Zoom Dome Waterproof IP PTZ Camera	
Camera		
Model Number	WDM-IP8846F/4X	WDM-IP8804MH/4X
Image Sensor	1/3" 2.0M pixels Hi3516C+Sensor Sony 323	1/3" 5.0M pixels CMOS Hi3516D+AR0521
Effective Pixels	2.0MP(1920x1080)	5.0MP(2592x1944)
Min. Illumination	Color: 0.05Lux@F1.2 ; D/N: 0.01Lux@F1.2	
Zoom	4X optical zoom, f= 2.8mm~12mm	
Day/Night	Day / Night / External control (IR Cut Filter)	
SNR	≥50dB(AGC OFF)	
WDR	Digital WDR≥70dB	
AGC	Auto / Manual	
White balance	Auto/Manual /ATW/Indoor/Outdoor/Daylight lamp/Sodium lamp	
Digital noise Reduction	DNR, 3DNR	
Network		
Video Compression	H.265/H.264 Main Profile/M-JPEG	
Max Image Size	1920X1080@30fps	2592x1944@30fps
Streams	Dual streams	
Frame Rate	Main stream: 2952*1944,1920*1080, 1280*960, 1280*720,720*576, 640*480	
	Sub-stream: 640*480,480*360, 352*288, 320*240, 176*144	
Bitrate	CBR/VBR, bitrate; 32Kbps~10Mbps variable	
Audio Compression	G711, PCM	
P2P	Android / IOS	
Protocols	TCP/IP,HTTP, NTP,IGMP, DHCP,UDP,SMTP,RTP,RTSP,ARP,DDNS,DNS,P2P	
Motion detect	Support	
Privacy Zone Masking	Support	
Onvif	Onvif 2.4	
IR parameters		
Night vision distance	IR distance 50 meters	
Dome Features		
Pan Range	350continued rotation	
Tilt Range	70° (Auto Flip)	
Manual pan speed	0.02~200°/S (1-64 degree variable)	
Manual tilt speed	0.02~120°/S (1-64 degree variable)	
Actual preset Accuracy	±0.10°	
Preset points	220	
General		
Certification	RoHs ,CE,FCC	
Work temperature	External-35Celsius degree~65Celsius degree	
Work Humidity	0%~95% (Non condensing)	
Temperature control	Intelligent control	
Power	DC12V	
Consumption	≤ 20W	
Lightning Protection	Transient Voltage 6000V	