

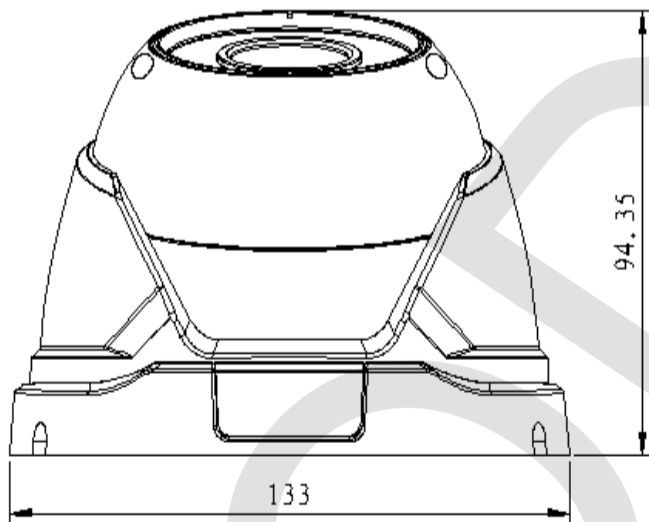
H.265 2.0MP CCTV Video Surveillance IR Dome IP HD Camera



Features

- * Hisilicon high-performance DSP
- * High quality progressive scanning CMOS
- * H.265/H.264 High profile
- * Support dual stream, support mobile phone
- * Support power supply DC12V/POE
- * Standard ONVIF Protocol, support multi network protocols
- * Metal case, Waterproof IP65

Dimension



Accessories

- User Manual
- CD
- Screw fittings

Specification

Product Name	H.265 2.0MP CCTV Video Surveillance IR Dome IP HD Camera		
Model No.	WDM-HIP8200B	WDM-HIP8200BH	
Video			
System	Hi3516EV200+Sony IMX307	Hi3516D+Sony IMX290	
Sensor	1/2.8" CMOS Sensor		
Output resolution	2.0MP(1920×1080)		
D/N Mode	Auto switching,black and white video and IR cut action linkage		
Illumination	Color: 0.001lux@F1.2; B/W: 0lux@F1.2		
SNR	≥50db(AGC OFF)		
Gain Control	Auto/ Manual	Auto	
DNR	Support 2DNR, 3DNR	3DNR	
WDR	DWDR(100dB)	>120dB	
Video processing	H.265/H.264 video compression, dual streaming		
		AVI format, 0.7M~8Mbps adjustable;	32KB ~16Mbps, support VBR, CBR
Video Output	Main streaming	1920*1080,1280*960,1280*720	1920*1080,1280*720, D1,VGA,QVGA
	Sub streaming	800*448,640*480,640*360,352*288	D1, VGA, QVGA
Frame rate	2.0MP@30fps,support 7~30fps/s adjustable	1920*1080(1~25/30fps)	
Network interface	RJ45 ethernet,10/100M;RTSP/FTP/PPPOE/DHCP/DDNS/NTP/UPnP protocol supported		
Access Protocol	Standard ONVIF Protocol, Support third party access; PC;		
	Support IE6.0 and above Smartphone		
	Support Android/iPhone		
Lens			
Lens	2.7-13.5mm manual lens		
View Angle	2MP F1.8 1/2.8" H 113.9°-27.7°		
IR distance	15-30m(36pcs F5 IR leds)		
Function			
Function	Support WEB configuration, OSD,real-time video transmission		
	Support motion detection		
	Support front end storage ,playback and download		
	Support uniform client and platform system application		
	Support complete SDK for second development.		
Normal			
Material	Metal Case, White		
Weather Proof	IP65 Waterproof, Weather Resistance		
Power supply	DC12V/POE(24W) optional		
Operation temperature	-20°C~+60°C,10%~90%RH		