

8 Inch Binocular Living Body Detection Face Recognition Access Control Camera



Features

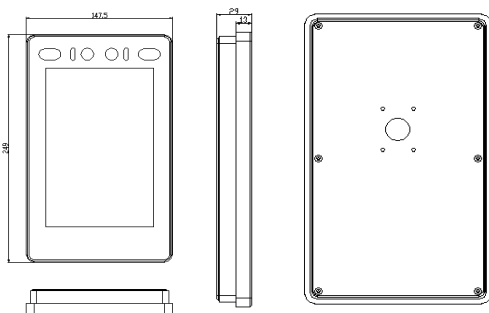
Applicable scene

Personnel gate, smart gate

Main Features

- * Support binocular in vivo detection
- * Unique face recognition algorithm can accurately recognize faces, and the face recognition time is less than 1 second
- * support tracking and exposure of human movement under strong backlighting environment
- * -30°C ~ +60°C working environment, IP65 waterproof
- * MTBF > 50000 H
- * Support TF card storage, Pictures are stored continuously for 1 year and video for 7 days
- * Support 20000pcs face comparison database and 100000pcs face recognition records
- * Support SDK and HTTP protocol under Windows/Linux and other platforms
- * The host supports connecting with personnel gate and access control host through wiegand interface, and ACTS as a face recognition card reader**
- * Support fog penetration, 3DNR, strong light suppression, electronic anti-shake, and a variety of white balance mode, suitable for all kinds of scene requirements

Dimension



Specification

Product Name	8 Inch Binocular Face Recognition Access Control Camera
Model No.	WDM-IP8662AIFC
Camera parameter	
Operating system	Embedded linux
Camera	Binocular camera, Support living body detection
Storage	16G EMMC
Sensor	1/2.7" Progressive Scan CMOS, Hi3516DV300
Resolution	2.0MP(1920x1080)
Min. Illumination	Color: 0.01Lux @F1.2(ICR), B/W: 0.001Lux @F1.2 (ICR)
S/N Ratio	≥50dB(AGC OFF)
3D DNR	Support
WDR ranger	≥80dB
Lens	4mm
Performance	
Recognition Height	1.2~2.2m, adjustable angle
Recognition Distance	0.5~2m, adjustable view lens
Face Angle	Left/Right: 30°; Up/Down: 30°
Recognition time	<1s
Function	Support 20000pcs face comparison database and 100000pcs face recognition records
Interface	
On-off input	1ch on-off input
Power	DC12V 3A
Network interface	1*10/100Mbps Ethernet port, RJ45 port
Wiegand interface	1ch wiegand interface output
USB interface	2xUSB interface
General parameter	
Working temperature	-30°C - +60°C
Working humidity	5% -90% RH
Power Supply	DC12V/3A
Consumption	20W(MAX)
Size	147.5(W)x24(T)x243(H)mm
Post hole diameter	36 mm
Screen size	8 Inch
Weight	2Kg(without the base)