

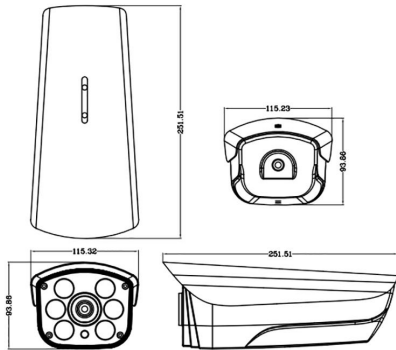
2MP/5MP New CCTV IR Bullet Starlight IP Camera



Features

- *Hisilicon high-performance DSP
- *High quality progressive scanning CMOS
- *H.265 High profile
- *Standard ONVIF Protocol
- *Complete SDK for second development. Support multi network protocols
- *Provide a unified free client to achieve video recording/playback/preview
- *Support ICR filter switching function, day and night surveillance
- * with waterproof microphone

Dimension



Specification

Product Name	2MP/5MP New CCTV Bullet Starlight IP Camera	
Model No.	WDM-IP8012SL	WDM-IP9012SL
Video		
Sensor	Hi3516E + Sony323, 1/2.9" CMOS, Starlight	Hi3516D + 5300, 1/3" CMOS, Starlight
Output resolution	1920*1080@20fps	5MP@20fps
D/N Mode	Auto switching, black and white vide and IR cut action linkage	
Illumination	Color 1.0Lux@F1.2, Black 0.1 Lux@F1.2	
Video processing	H.265/H.264 video compression, dual streaming AVI format, 0.1M~6Mbps adjustable;	
Frame rate	2.0MP 20 frame(full real time), support 1~30frame/seconds adjustable	5.0MP 20 frame(full real time), support 1~30frame/seconds adjustable
Network interface	RJ45 ethernet, 10/100M; RTSP/FTP/PPPOE/DHCP/DDNS/NTP/UPnP protocol supported	
Access Protocol	Standard ONVIF Protocol, Support third party access; PC; Support IE6.0 and above Smartphone Support Android\iPhone	
Lens		
Lens	3.6/6mm lens	
IR distance	60-80M, 6pcs IR Array Leds	
Function		
Function	Support WEB configuration, OSD, real-time video transmission	
Function	Support motion detection	
Function	Support front end storage , playback and download	
Function	Support uniform client and platform system application	
Function	Support complete SDK for second development.	
Normal		
Power supply	DC12V/POE(optional)	
Audio	Support	
Starlight	Support	
WiFi	Optional	
Zoom Lens	Optional	
IO	Optional	
RS485	Optional	
Operation temperature	-10°C~+60°C, 10%~90%RH	