



中拓国际
ZHONGTUO INTERNATIONAL

沧州中拓冷弯成型设备制造商

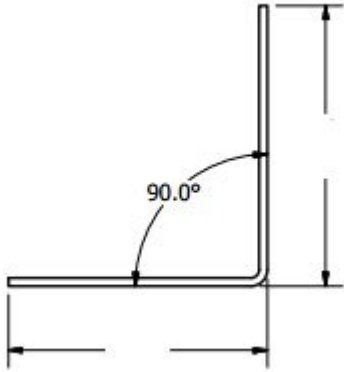
CANGZHOU ZHONGTUO COLD ROLL FORMING MACHINERY

Room 807, Building 6, Taida International, Yunhe district, Cangzhou City, Hebei province, China

Contact: Vivian Tel:+86 18730769688 Skype: cnzt005@zhongtuocn.com


Steel angle roll forming machine

Customer requirement:



Size: 25*25mm, 38*38mm, 50.8*50.8mm, 64*64mm, Thickness: 0.5-1mm.

You just adjust the feeder to change the size.

S/N	Name	Parameter	Picture
1	Decoiler	Usage: It is used to support the steel coil and uncoil it in a turntable way. Passive uncoil pulled by roll forming system Loading capacity: 1.5T Uncoiling width: 300mm Inner diameter: 450-550mm	
2	Feeder	This part will level coil to make sure it is neat clean and straight.	



沧州中拓冷弯成型设备制造商

CANGZHOU ZHONGTUO COLD ROLL FORMING MACHINERY

Room 807, Building 6, Taida International, Yunhe district, Cangzhou City, Hebei province, China

Contact: Vivian Tel:+86 18730769688 Skype: cnzt005@zhongtuocn.com

3	Roll forming machine	<p>Size: 2900x800x1400</p> <p>Weight t: 3 tons</p> <p>Voltage:380V/50HZ3Phase(as customer's request)</p> <p>Roller fixer : Guide column</p> <p>Frame : middle plate welded</p> <p>Memorial arch frame type</p> <p>Frame thickness:25mm</p> <p>Drive mode: gear</p> <p>Material of rollers: GCr12MoV</p> <p>Material of shafts: 45# steel with tempering</p> <p>Diameter of shafts: $\phi 40\text{mm}$</p> <p>Number of rollers : 8 rollers</p> <p>Main power: 3kw</p> <p>Cycloidal planetary gear speed reducer)</p>	
4	Shearing system	<p>Material of blades: Gcr12MoV quenched</p> <p>Power supply : hydraulic power</p> <p>Frame : Pillar style with rack & pinion system</p> <p>Stroke switch : non-contact photoelectric switch</p> <p>Components: It contains one set of cutting tools, one hydraulic tank and one cutter machine.</p>	





中拓国际
ZHONGTUO INTERNATIONAL

沧州中拓冷弯成型设备制造商

CANGZHOU ZHONGTUO COLD ROLL FORMING MACHINERY

Room 807, Building 6, Taida International, Yunhe district, Cangzhou City, Hebei province, China

Contact: Vivian Tel:+86 18730769688 Skype: cnzt005@zhongtuocn.com

5	Hydraulic station	<p>Hydraulic motor Power: 3kw Hydraulic oil: 46#</p> <p>Components: The system includes a set of hydraulic tank, a set of hydraulic oil pump, and two hydraulic pipes. And two sets of electromagnetism valves.</p>	
6	PLC station	<p>Feature:</p> <ol style="list-style-type: none"> 1. Adopted PLC, transducer, touch panel from Delta Taiwan to ensure high speed with stability, precision and lifetime. 2. Other electric element are Delta 3. Equipped with movable switch, air break, radiator, transformer & electric leakage protector for operation convenience and safety. 	
7	Run out table	It adopts welded steel and supported roller to transmit the products.	
8	<p>Price: 7500 USD/LINE FOB XINGANGCHINA</p> <p>Payment: 30% T/T in advance and balance 70% after inspection confirmation before shipment.</p>		
9	<ol style="list-style-type: none"> 1. One year, and we will provide the technical support for the whole life. 2. Training: the buyer should charge of visa, return ticket, food and accommodation overseas and USD50/person/day for salary. 3. Need one technician. 4. Training time: one week (contains the time of installation and adjustment) 		