

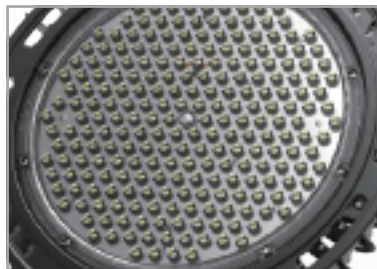
# SUNRISE II



## Structure Diagram



MEAN WELL or  
INVENTRONICS  
Power Supply



Nichia SMD



Fin Type Heat Sink



## Application

Widely used in Factory, Workshop, Warehouse, Logistics Center Exhibition Hall, Gymnasium, Shipyards, Mining, Gas Station, Supermarket, Other Places.



## Feature

- 1 .Lumens 130lm/W
- 2.DLC 3.0
3. MEAN WELL or  
INVENTRONICS Driver



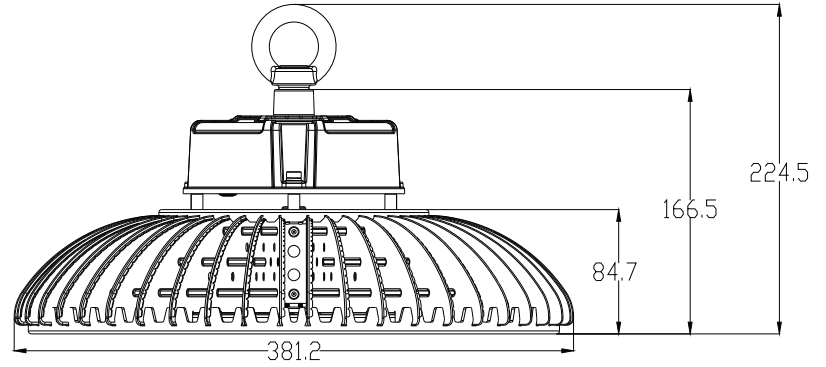
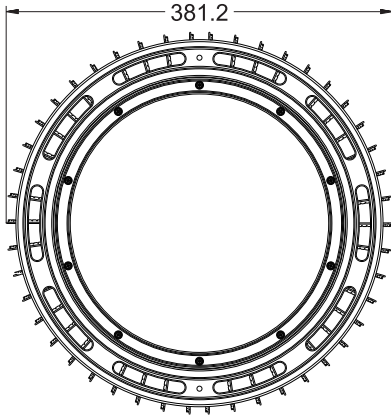
INVENTRONICS



## Structure Diagram

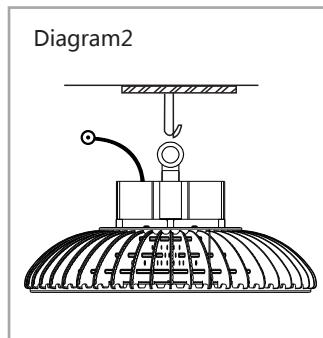
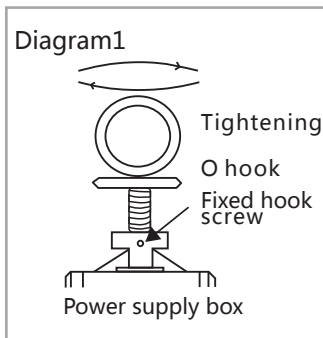
Model	SA-HB-1503-5075-120N-03 8038-150W	SA-HB-1503-5075-120N -038038-200W	SA-HB-1503-5075-120N -038038-240W
Power	150W	200W	240W
Lumens	130lm/w		
Color Temp Range	5000K		
Housing	AL and PC		
Operation Temp.	-20°C to 50 °C		
Life Span	50,000hours duty cycle		
Voltage range	AC100-277V		
Frequency	50/60Hz		
Beam Angle	60/120°		
CRI	>75		
PF	≥0.95		
Power Efficiency	≥90%		
Warranty	5 Years		

## Dimension Diagram

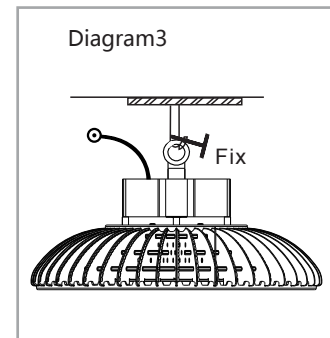


## Installation Instruction

### Option 1

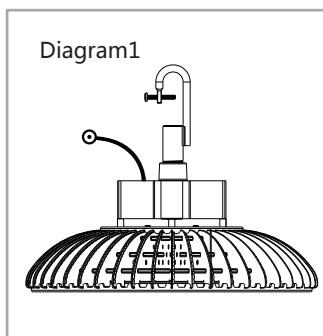


Ensure the fixed wall strong enough can bear 30kg



Turn on the power and test

### Option 2

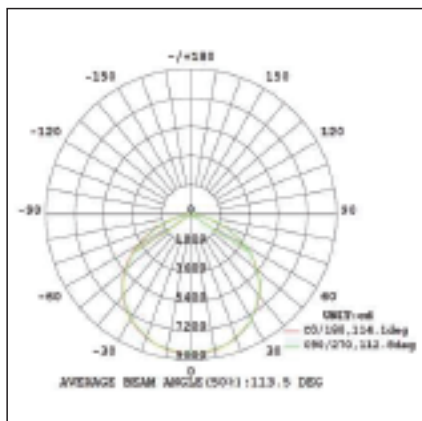


Turn on the power and test

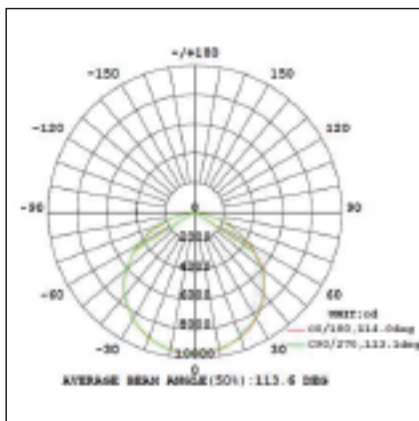


## Lighting Distribution

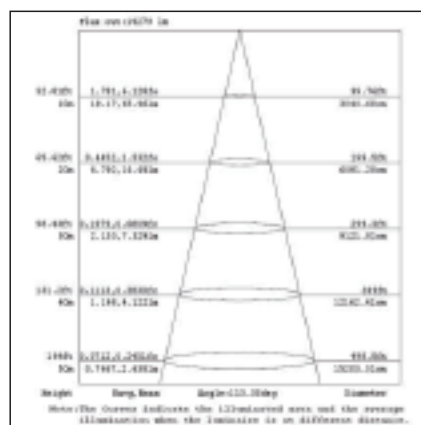
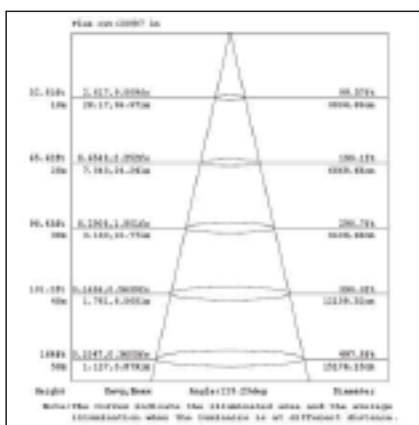
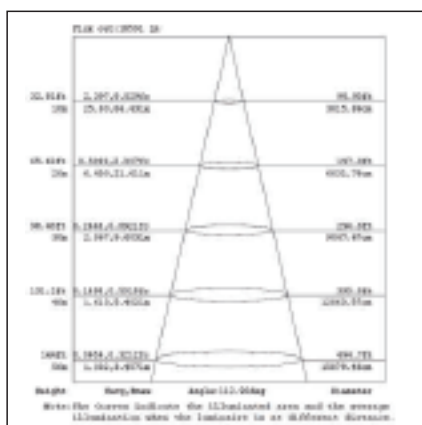
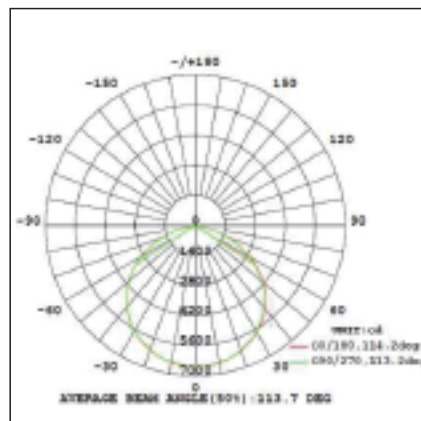
### 150W



### 200W



### 240W



## Packing

Power	N.W(kg)	G.W(kg)	Package Size(mm)	20#	40GP	40HC
150W	4.5	5	435*435*240mm	585pcs	1215pcs	1485pcs
200/240W	5	5.5				