



AMANDA GROUP

FIBERGLASS PRESSURE VESSELS

OPERATING PARAMETERS

- Maximum operating pressure:150psi/10Bar (100psi/6Bar)
- Maximum operating temp.: 120°F/50°C

TEST

- 250,000+ cycles, ambient & hot 150°F/ 66°C, 0 to 150psi without leakage
- 4:1 safety factor (600psi minimum burst)
- Stress Rupture: Minimum 1,000 hours at 150°F/ 66°C and 150psi static pressure

WARRANTY

- Residential vessels,size6" to 13": 10 year limited warranty
- Commercial and industrial vessels, size 14" to 63": 5 year limited warranty

COLOR

Basically we provide 4 colors for your choice: Natural(Standard),Black, Grey and Blue.

Other customized color is available on request.



Natural



Black



Grey



Blue





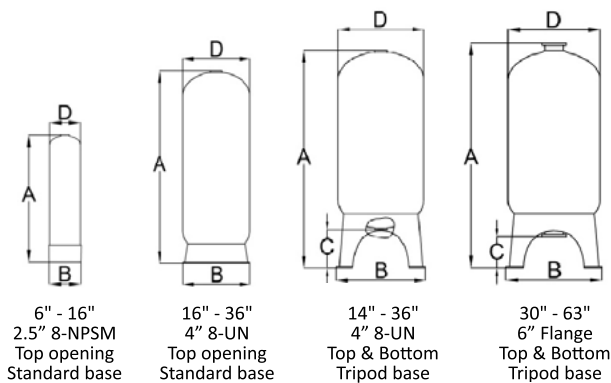
TANK MATERIAL

All the water contact parts are made by Food-Grade materials.

- Inner shell: ABS, HDPE and FRP liner.
- Outer shell: consists of premium fiberglass embedded in epoxy resin.
- Thread inlet: made from glass reinforced thermoplastic material.
- Flange: made from pressure cast aluminum
- Base: impact-resistant polypropylene or FRP laminate material.

FEATURES

- High performance composite material with filament winding.
- All pressure vessels are 100% corrosion resistant.
- Various thermoplastic liners of polyester, high strength polypropylene.
- Only one-third the weight of steel tanks. Easy for transportation installation.



6"-16":

2.5" 8-NPSM Top Standard Base

16"-36":

4" 8-UN Top Opening Standard Base

14"-36":

4" 8-UN Top & Bottom Tripod Base

30"-63":

6" Flange Top & Bottom Tripod Base

Specification

Size (inches)	Nominal Size	Opening		Volume		Dimensions			
		Top	Bottom	Liter	Gallon	A(mm)	B(mm)	C(mm)	D(mm)
6*13	150*330	2.5"	/	4.6	1.2	337	165		Φ155
6*17	150*450	2.5"	/	6.6	1.7	435	165		Φ155
6*35	150*890	2.5"	/	13.7	3.6	918	165		Φ155
7*13	180*330	2.5"	/	6.3	1.7	335	197		Φ182
7*17	180*450	2.5"	/	8.6	2.3	438	197		Φ182
7*35	180*890	2.5"	/	20.1	5.3	895	197		Φ182
7*44	180*1100	2.5"	/	25.6	6.8	1125	197		Φ182
8*13	200*330	2.5"	/	8.5	2.2	335	216		Φ210
8*17	200*450	2.5"	/	10.9	2.9	435	216		Φ210

8*35	200*890	2.5"	/	25	6.6	890	216	Φ210	
8*44	200*1100	2.5"	/	32.1	8.5	1115	Φ216	Φ210	
9*17	230*450	2.5"	/	13.8	3.7	440	Φ240	Φ232	
9*35	230*890	2.5"	/	32.1	8.5	900	Φ240	Φ232	
9*42	230*1100	2.5"	/	38.4	10.2	1075	Φ240	Φ232	
9*48	230*1200	2.5"	/	44.4	11.7	1225	Φ240	Φ232	
10*17	250*450	2.5"	/	16.7	4.4	440	Φ269	Φ260	
10*35	250*890	2.5"	/	39.4	10.4	890	Φ269	Φ260	
10*44	250*1100	2.5"	/	51.2	13.5	1130	Φ269	Φ260	
10*54	250*1400	2.5"	/	63.3	16.7	1385	Φ269	Φ260	
10*65	250*1600	2.5"	/	79.5	21	1635	Φ270	Φ260	
12*48	300*1200	2.5"	/	89	23.5	1230	Φ318	Φ310	
12*52	300*1400	2.5"	/	97	25.7	1330	Φ318	Φ310	
12*65	300*1600	2.5"	/	108	28.6	1655	Φ318	Φ310	
13*44	330*1100	2.5"	/	86.8	23	1125	Φ343	Φ335	
13*54	330*1400	2.5"	/	105.3	27.9	1380	Φ343	Φ335	
13*54	330*1400	4"-8UN	/	105.3	27.9	1380	Φ369	Φ335	
14*52	350*1400	2.5"	/	115.7	30.6	1340	Φ369	Φ362	
14*52	350*1400	4"-8UN	/	115.7	30.6	1340	Φ369	Φ362	
14*65	350*1600	2.5"	/	148.5	39.3	1655	Φ369	Φ362	
14*65	350*1600	4"-8UN	/	148.5	39.3	1655	Φ369	Φ362	
14*65	350*1600	4"-8UN	4"-8UN	148.5	39.3	1880		225	Φ362
16*52	400*1400	2.5"	/	153	40.5	1330	Φ422	Φ412	
16*52	400*1400	4"-8UN	/	153	40.5	1330	Φ422	Φ412	
16*65	400*1600	2.5"	/	192.1	50.8	1650	Φ422	Φ412	
16*65	400*1600	4"-8UN	/	192.1	50.8	1650	Φ422	Φ412	
16*65	400*1600	4"-8UN	4"-8UN	192.1	50.8	1910		225	Φ412
16*69	400*1750	4"-8UN	/	214	56.6	1750	Φ422	Φ412	
16*75	400*1900	4"-8UN	/	225	59.5	1900	Φ422	Φ412	
18*36	450*900	4"-8UN	/	141	37.3	940	Φ451	Φ460	
18*53	450*1400	4"-8UN	/	216.5	57.3	1370	Φ451	Φ460	
18*65	450*1650	4"-8UN	/	268	70.9	1670	Φ451	Φ460	
18*65	450*1650	4"-8UN	4"-8UN	268	70.9	1970		330	Φ460
20*69	500*1750	4"-8UN	/	307	81.2	1745	Φ525	Φ513	
20*69	500*1900	4"-8UN	4"-8UN	307	81.2	1865		200	Φ513
21*36	530*900	4"-8UN	/	180	47.6	960	Φ532	Φ540	
21*53	530*1400	4"-8UN	/	278	73.5	1390	Φ532	Φ540	
21*62	530*1600	4"-8UN	/	341	90.2	1620	Φ532	Φ540	
21*62	530*1600	4"-8UN	4"-8UN	341	90.2	1890		330	Φ540
24*65	600*1900	4"-8UN	4"-8UN	419	110.8	1910		240	Φ613
24*72	600*2100	4"-8UN	/	490	129.6	1900	Φ616	Φ613	
24*72	600*2100	4"-8UN	4"-8UN	490	129.6	2090		240	Φ613
30*72	750*2100	4"-8UN	/	735	194.4	1870	Φ750	Φ763	
30*72	750*2100	4"-8UN	4"-8UN	735	194.4	2110		270	Φ763
30*72	750*2100	6"-FLG	6"-FLG	735	194.4	2260		270	Φ763
36*65	900*1900	4"-8UN	4"-8UN	950	215.3	1910		240	Φ918
36*72	900*2100	4"-8UN	/	1031	272.8	1960	Φ910	Φ918	
36*72	900*2100	4"-8UN	4"-8UN	1031	272.8	2085		240	Φ918
36*72	900*2100	6"-FLG	6"-FLG	1022	270.4	2280		295	Φ918
40*65	1000*1900	4"-8UN	4"-8UN	1281	338.9	1960		260	Φ1000
40*65	1000*1900	6"-FLG	6"-FLG	1281	338.9	1995		220	Φ1000
40*79	1000*2200	4"-8UN	4"-8UN	1483	392.3	2260		260	Φ1000
40*79	1000*2250	6"-FLG	6"-FLG	1483	392.3	2300		220	Φ1000
42*72	1000*2100	6"-FLG	6"-FLG	1461	386.5	2300		305	Φ1065
48*72	1200*2300	6"-FLG	6"-FLG	1685	445.8	2250		300	Φ1210
60*79	1500*2400	6"-FLG	6"-FLG	3000	793.7	2440		275	Φ1500
63*84	1600*2450	6"-FLG	6"-FLG	3326	792.5	2475		285	Φ1610
72*79	1800*2600	6"-FLG Man hole 400mm	6"-FLG	4577	1210.8	2560		275	Φ1800
80*79	2000*2600	6"-FLG Man hole 400mm	6"-FLG	5074	1342.3	2480		265	Φ2000

Note:

- All pressure vessels are completed with food grade PE liner.
(complied to FDA regulation 21 CFR 177.1520 and sage for drinking water)
- All dimensions are for reference only and subjected to change without notice.

About US

Amanda Group consists of 6 subsidiaries, with operating history in the water industry for 21 years. Amanda focused on water treatment, manufacturers of our composite pressure vessel was founded in 2003 in Beijing , with 46,000 square meters, includes 7 workshops, 9 production lines, 157worker, the annual output reach to 1000,000pcs. We have high-efficiency production equipment, such as Brine tank machine, PE box machine, flange machine, glass steel slot machines, pressure test chamber, blasting laboratory, environmental laboratory leak.

Amanda's products meet and comply with international standards, and has passed ISO9001, EU Pressure Equipment Directive (PED) and NSF / ANSI Standard 44.

Workshop



Tel: 86 311 89276114

Email: sales@amandawatertech.com

URL: www.amandagroupchina.com