

# U5

U5 is a linear actuator with slide design for electric electric massage chair, old-man chair, electric bed, etc.

## SPECIFICATION

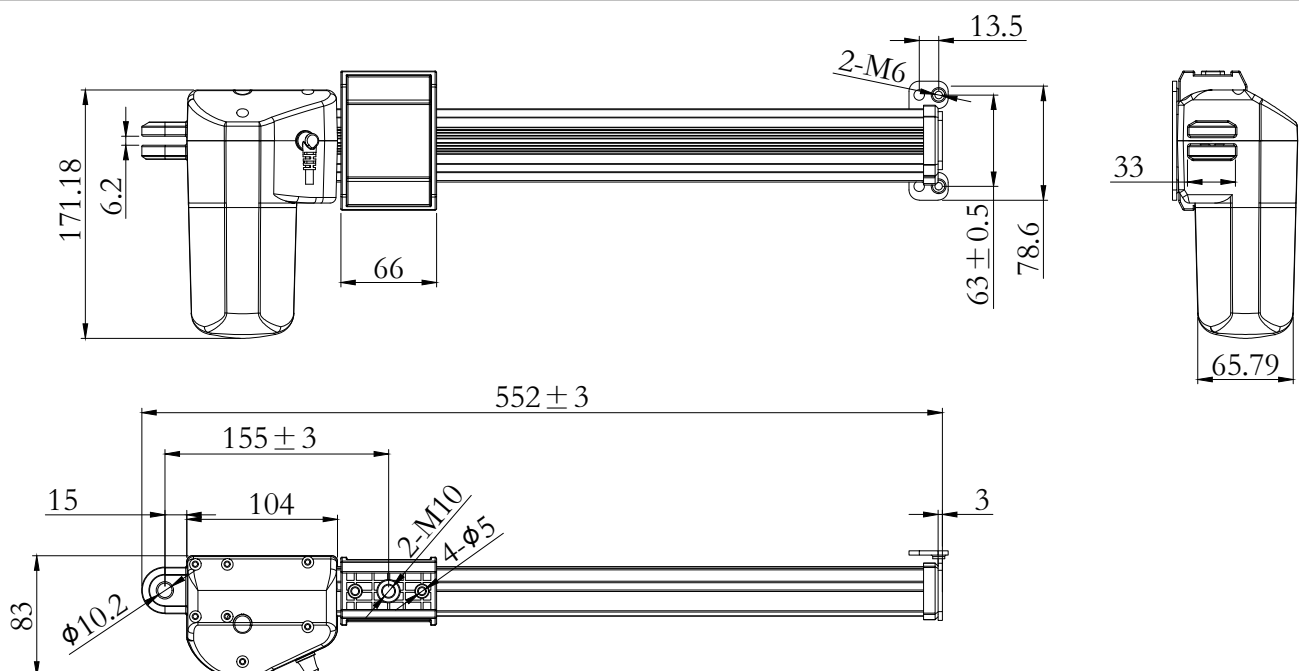
- **Voltage:** 12/24 VDC
- **Max. Load:** 6,000N ( push)
- **Max. Load:** 3,000N ( pull)
- **Max. Speed @ no load:** 5.4 ~ 58mm/s
- **Max. Speed @ full load:** 2.9 ~ 30mm/s
- **Noise level:** ≤52dB



## PARAMETERS

CODE	RATED LOAD (N)	RATED CURRENT(A)	RATED SPEED (mm/s)	
			NO LOAD(32VDC)	FULL LOAD (24VDC)
<b>Standard Motor (2600RPM)</b>				
A	6000	5	5.4	2.9
B	5000	5	7.1	3.9
C	3000	4.5	11	6.2
D	2500	4	15.8	7.8
E	2000	5	22.5	13
F	1200	4	33	19
G	750	4.5	44.5	23.6
<b>Fast Motor(3400RPM)</b>				
I	6000	5	7	3.9
J	5000	5	9.2	4.6
K	3000	4.8	14.6	8.2
L	2500	4.5	21	11
M	2000	4.5	29.2	16
N	1200	5	43.5	23
O	750	4.5	58	30

## DIMENSION



U5 -  -  -       -

**Voltage**

1= 12V 2=24V

**Code of Parameters**

**Stroke (please fill in number)**

**Min. Installation Dimension ( please fill in number)**

**Front-End**

1= None 2= L type dead plate C= Customization

**Rear-End**

1= Plastic clevis, slot 6.2mm,  $\Phi$ 10.2mm C= Customization

**Limit Switch**

Both end for cutting off current

Both end for cutting off current and a third one for signal output

Both end for signal output

Both end and a third one for signal output

Customization

**Connector**

1= Tined leads 2= 01 pin 3=Y cable( 01pin, Din 5 pin) C=Customization

**Type of Cable**

1= Straight 2= Crooked

**Length of Cable**

1= 0.5m 2= 1m 3= 1.5m 4= 2m 5= 3m

**Brake**

1= None 2= One three-cycle coil spring 3= One four-and-a-half-cycle coil spring 4= Motor brake