



KYB18 Series Pressure Transmitters

Description

KYB18 series use quality sensing element, stainless steel body processing solution, high reliable back-end amplified processing circuit, the medium pressure is changed into a standard electrical signal output. Mature and exquisite production process to ensure the stability and quality of the product

Applications

Natural Gas Compressors
 Gas Dispensers
 Fuel Gas Sub- stations
 Fuel Gas Drilling Platforms



Features

- ◆ EMC certified
- ◆ Stainless steel integral structure, high reliability
- ◆ No O-rings, no corrosion, no leakage
- ◆ wide temperature compensation range, stable and reliable signal output
- ◆ mature production technology, good consistency
- ◆ intrinsically safe ExiaIICT6 and flameproof ExdIIBT5 available
- ◆ customized available

Specifications

Parameter	Value
Measure Media	CNG、LNG、 other media compatible with 304 stainless steel
Pressure Range	0~60MPa (minimum 0~5KPa)
Combine Accuracy	±0.25% FS, ±0.5% FS, ±1.0% FS
	Smart: ±0.1% FS、 ±0.25% FS, ±0.5% FS
Operating Voltage	14~36VDC, standard 24VDC ±5%, ripple < 1%
Output	4 ~20mA (2-wire) , 0~5VDC (3-wire) or customized
Medium Temperature	-10~70°C
Temperature Effect	±0.5% FS (0.1 grade)、 ±1.5%FS (0.25 grade)、 ±3.0% FS (0.5 grade)、 ±5.0%FS (1 grade)
Stability	±0.25%FS/Y (0.25 grade) , ±0.5% FS/Y (0.5 grade) , Smart: ±0.1% FS/Y
Pressure Over-loaded	2 X

How To Order

KYB-18 (S) G 09 M1 P1 C2 (i) - II

S Smart (Optional for high accuracy only)

Pressure Mode

A Absolute Pressure
G Gage Pressure

Range

Code	Range	Accuracy(standard/smart)
01	5KPa-10KPa	±1.0%/±0.5%
02	10KPa-35KPa	±0.5%/±0.25%
03	35KPa-100KPa	±0.25%/±0.1%
04	100KPa-200KPa	
05	200KPa-700KPa	
06	700KPa-1.7MPa	
07	1.7MPa-3.5MPa	
08	3.5MPa-7MPa	
09	7MPa-35MPa	
10	35MPa-60MPa	
11	60MPa-100MPa	

Output

M1 4-20mADC
V 0-5VDC*
MB Modbus
VX Customized

Pressure Connection

P1 M12×1 external thread
P2 M20×1.5 external thread
P4 G1/4 external thread
Px Customized

Connection

C1 Aviation plug
C2 Cable(standard length 1m)
C3 Hirschman Connector
C4 Sealed back cover structure

Safety

i Intrinsically Safe ExiaIICT5~T6 (Optional)
d Flameproof Exd II BT5** (Optional)

KYB18G09M1P1C2-I (0-30MPa)

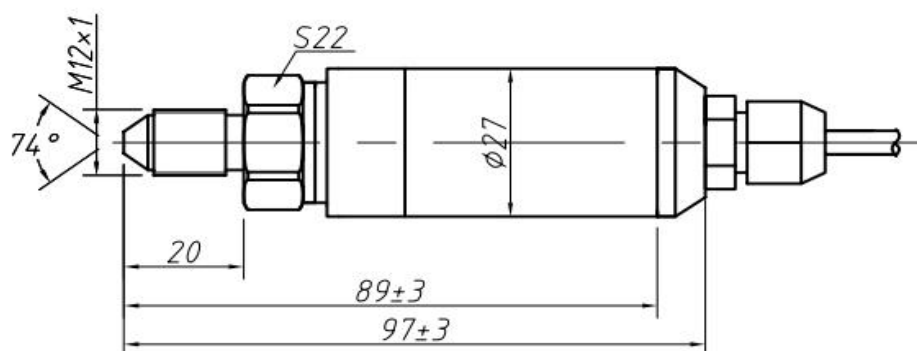
* Voltage output is not available for smart type product

** For flameproof, only 7~10 ranges available

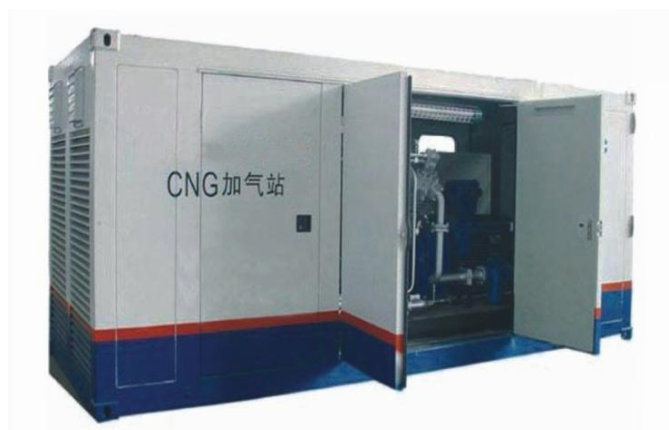
Black font is required; Red font is optional.



Product Diagram:



Application Picture:



Gross Weight: 300g (1m length cable)

Net Weight: 240g (1m length cable)

Xinhui KangYu Control Systems Engineering, Inc.

Guifeng Hightech Village, Ximen Rd., Xinhui District, Jiangmen City, Guangdong 529100, P.R. China

Tel: 86-750-6318857 Fax: 86-750-6318900 E-mail: sale@chinakangyu.com Website: www.chinakangyu.com