



## KYB600 Series Pressure Transmitters

### Description

KYB600 series use high accuracy, high stability sensor with mature and exquisite packaging technology and assembly, with high reliability back-end amplification circuit, converting the measured medium pressure into standard electrical signal output.

### Applications:

Field of natural gas compressor  
 Field of gas dispenser  
 Gas sub- station  
 Field of gas drilling platform

### Features:

- ◆ Available with display meter, live readings
- ◆ Mature matching, nice consistency
- ◆ Selection of high quality sensors, high precision and reliability
- ◆ Provide intrinsically safety type ExiaIICT5, flame-proof type ExdIIBT5
- ◆ Can be customized according to clients' requirements



### Specifications

Parameter	Value
Measure Media	CNG、LNG、 other media compatible with 304 stainless steel
Pressure Range	0~60MPa (minimum 0~5KPa)
Combine Accuracy	±0.25% FS, ±0.5% FS, ±1.0% FS
	Smart: ±0.1% FS、 ±0.25% FS, ±0.5% FS
Operating Voltage	14~36VDC, standard 24VDC±5%, ripple< 1%
	Smart : 12~36VDC (17VDC for digital display type)
Output	4 ~20mA (2-wire) , 0~5VDC or customized
Medium Temperature	-10~70℃
Temperature Effect	±0.5% FS (0.1 grade)、 ±1.5%FS (0.25 grade)、 ±3.0% FS (0.5 grade)、 ±5.0%FS (1 grade)
Stability	±0.25%FS/Y, Smart: ±0.1% FS/Y
Pressure Over-loaded	2 X

### Application Description

KYB600 is a mature solution widely used in gas compressor, gas dispenser with high performance-to-price ratio and long service life. It is dedicated product gained the customer the consistent approval.

# How To Order

**KYB-600** **(S)** **G** **I** **06**

**M1** **P2** **B1** **(i)** - **II**

**S** Smart (Optional for high accuracy only)

**A** Absolute Pressure

**G** Gage Pressure

**I** Intrinsically safety type

**II** Flame-proof type

**III** Compact type\*

Code	Range	Accuracy(standard/smart)
<b>01</b>	5KPa-10KPa	±1.0%/±0.5%
<b>02</b>	10KPa-35KPa	±0.5%/±0.25%
<b>03</b>	35KPa-100KPa	±0.25%/±0.1%
<b>04</b>	100KPa-200KPa	
<b>05</b>	200KPa-700KPa	
<b>06</b>	700KPa-1.7MPa	
<b>07</b>	1.7MPa-3.5MPa	
<b>08</b>	3.5MPa-7MPa	
<b>09</b>	7MPa-35MPa	
<b>10</b>	35MPa-60MPa	

**M1** 4-20mADC

**V1** 0-5VDC

**P1** M12×1 external thread

**P2** M20×1.5 external thread

**P3** G1/4 external thread

**Px** Customized

**B1** Analog display

**B2** Digital display\*\*

**i** Intrinsically Safe ExiaIICT5~T6 (Optional)

**d** Flameproof Exd II BT5\*\* (Optional)

**KYB600GI06M1P2B1-I (0-1.6MPa)**

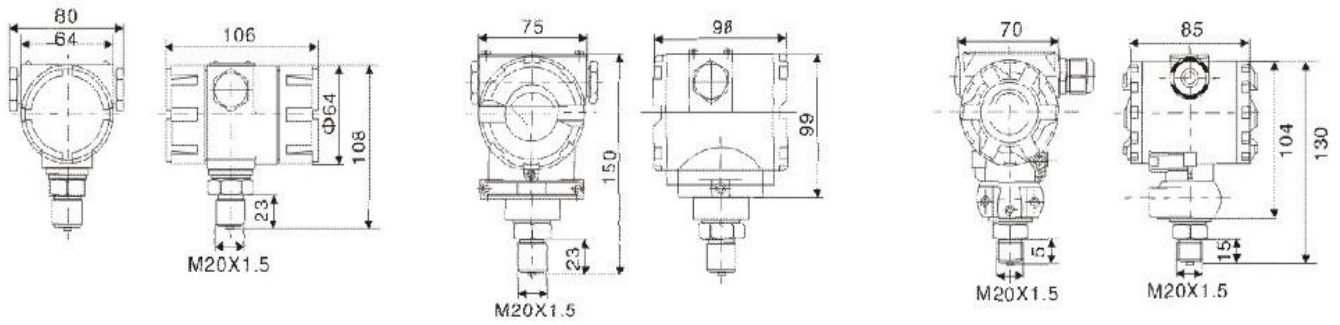
Black font is required; Red font is optional.

\* For compact type : we support the range code is 05-09 only; when the range less than 7MPa,the accuracy is ±0.5%; when the range more than 7MPa, the accuracy is ±1.0%. They don't include display.

\*\* Smart product support flame-proof type only, if you need display, we support digital display only too.



## Product Diagram:

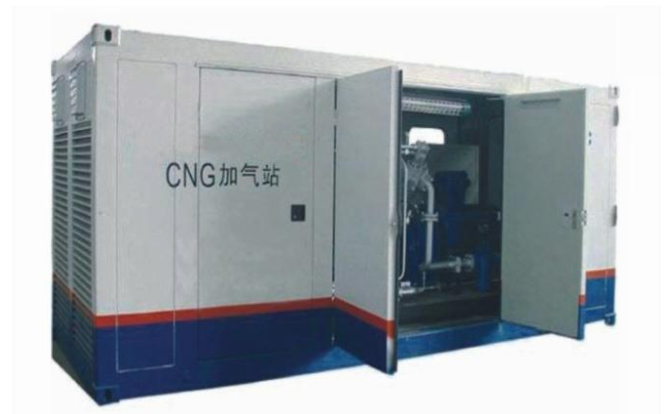


KYB600I (intrinsically safety type)

KYB600II (flame-proof type)

KYB600II(compact type)

## Application Picture:



**Gross weight: 1220g/set**

**Net weight: 1160g/set**

Xinhui KangYu Control Systems Engineering, Inc.

Guifeng Hightech Village, Ximen Rd., Xinhui District, Jiangmen City, Guangdong 529100, P.R. China

Tel: 86-750-6318857 Fax: 86-750-6318900 E-mail: [sale@chinakangyu.com](mailto:sale@chinakangyu.com) Website: [www.chinakangyu.com](http://www.chinakangyu.com)