



KYMAP-2B/KYMAP-3B Pressure Sensors

Description

KYMAP series gas intake pressure sensors use the technology of “pressure from the back”, with excellent media compatibility, especially for corrosive gas of H₂S in natural gas, wide working temperature, good stability and reliability.



KYMAP-2B

Applications

Engine intake manifold pressure detection
 Gas pressure detection
 Auxiliary intake air quantity calculation
 Auxiliary overheating, booster protection
 Auxiliary highland compensation



KYMAP-3B

Features

- ◆ Back pressure technology, excellent media compatibility, better anti-corrosive characteristics (especially for H₂S)
- ◆ Operating temperature -40°C and 125°C
- ◆ High Accuracy, Good stability
- ◆ Anti-shock, anti-vibration, Good interchangeability at site

Specifications

Parameter	Value	Units
Supply Voltage	5 or 8~16	VDC
Measure Media	Clean air or natural gas	—
Pressure Range	OUT1:20~400 (absolute)	KPa
	OUT2:20~250 (absolute)	KPa
Performance guarantee pressure	600 (absolute)	KPa
Burst Pressure	800 (absolute)	KPa
Output Voltage	0.2~4.8	VDC
Error within operating temperature	3.0	%FSO
Operating Temperature	-40~125	°C
Storage Temperature	-40~135	°C
Operating Current	<15	mA
Long-term Stability	±0.5	%FS/year
Response Time	2.0	ms

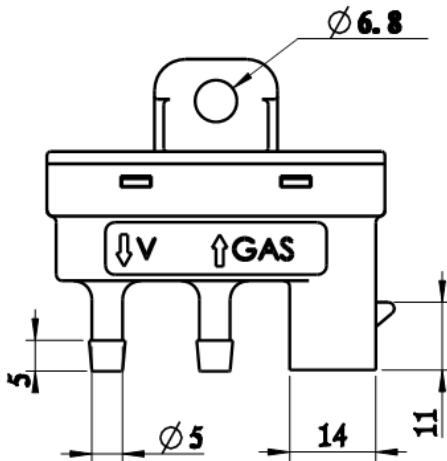


Application Description

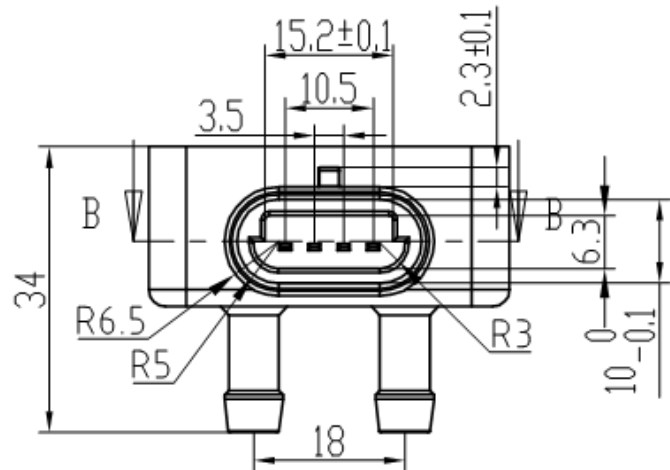
KYMAP-2B/KYMAP-3B detects the spray rail gas pressure and intake manifold air pressure. The sensor signal is transmitted to the ECU, ECU control the optimum gas injection time through preset optimum air-fuel ratio to achieve the purpose of energy saving.

How to Order: Based on parameters

Products Diagram:



KYMAP-2B



KYMAP-3B

Gross Weight: KYMAP-2B:50g, KYMAP-3B:34g

Net Weight: KYMAP-2B:40g, KYMAP-3B:44g

Xinhui KangYu Control Systems Engineering, Inc.

Guifeng Hightech Village, Ximen Rd., Xinhui District, Jiangmen City, Guangdong 529100, P.R. China

Tel: 86-750-6318857 Fax: 86-750-6318900 E-mail: sale@chinakangyu.com Website: www.chinakangyu.com