

Triac Dimmable

Product features

- Adopt PFC circuit scheme, high factor and low harmonic
- Full-isolation driver
- Fireproof environmental protection PC plastic cover
- Short circuit, over current and over voltage protection.
- Global multi-national certification optional (ETL, TUV, SAA, CB, CE)
- Conform to the world lighting safety standards
- 5 years quality warranty



Electrical specifications

Constant Current

Power	Input voltage	Output voltage	Output current	Size
DR-CC-9	90-130V/AC& 180-240V/AC	31-45V	200mA	D51*H17mm
		21-30V	300mA	
		15-22V	400mA	
DR-CC-12	90-130V/AC& 180-240V/AC	24-34V	350mA	D67*H21mm
		17-24V	500mA	
		12-17V	700mA	
DR-CC-20	90-130V/AC& 180-240V/AC	28-40V	500mA	D73*H27mm
		20-28V	700mA	
		16-22V	900mA	
DR-CC-30	90-130V/AC& 180-240V/AC	30-42V	700mA	D79*H31mm
		23-33V	900mA	
		18-25V	1200mA	
DR-CC-40	90-130V/AC& 180-240V/AC	40-57V	700mA	D102*H31mm
		32-45V	900mA	
		23-33V	1200mA	
		19-27V	1500mA	
DR-CC-60	90-130V/AC& 180-240V/AC	46-66V	900mA	D102*H31mm
		35-50V	1200mA	
		28-40V	1500mA	
		23-33V	1800mA	



Triac Dimmable

Constant Voltage

Model	Input voltage	Output voltage	Output current	Net weight	Size
DR-CV-9	90-130V/AC& 180-240V/AC	12V	750mA	50g	D51*H17mm
		24V	375mA		
DR-CV-12	90-130V/AC& 180-240V/AC	12V	1000mA	70g	D67*H21mm
		24V	500mA		
DR-CV-20	90-130V/AC& 180-240V/AC	12V	1500mA	100g	D73*H27mm
		24V	830mA		
DR-CV-30	90-130V/AC& 180-240V/AC	12V	2000mA	145g	D79*H31mm
		24V	1250mA		
DR-CV-40	90-130V/AC& 180-240V/AC	12V	3000mA	220g	D102*H31mm
		24V	1700mA		
DR-CV-60	90-130V/AC& 180-240V/AC	12V	4000mA	220g	D102*H31mm
		24V	2500mA		

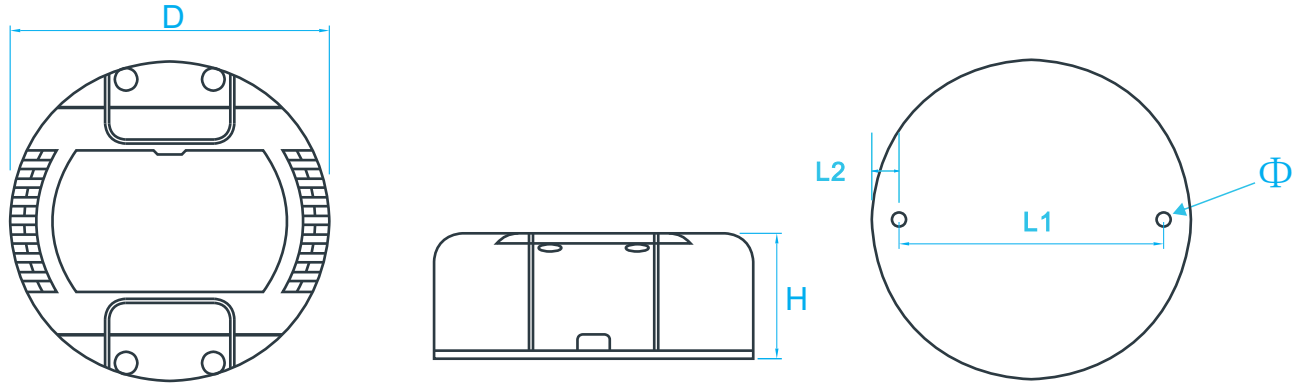
Protection	Short circuit	Intermittent restart mode, after the exception can be automatically restored
	Overcurrent	Hiccup mode, after the removal of abnormal flow can be automatically restored
	Overvoltage	Hiccup mode, after the exception of abnormal pressure can be automatically restored

Environment	Operating Temperature/humidity	-30 -45 5 -95%RH
	Storage Temperature/humidity	-40 -70 5 -95%RH
	Temperature coefficient	±0.03% (0 -50)
	Vibration	5 -55Hz/2g,30 Minutes

Safety	Safety	EN60598
	Pressure	I/P -O/P:3KVAC IP -FG:1.88KVAC O/P-FG:0.5KVAC
	Insulation resistance	I/P -O/P I/P -FG O/P -FG:100MΩ /500VDC/25 /70%RH
	EMC Emission	EN55022,EN55015 Class B
	EMC Immunity	EN61547,ENV5024,EN61000-4-2/3/4/6/8/11

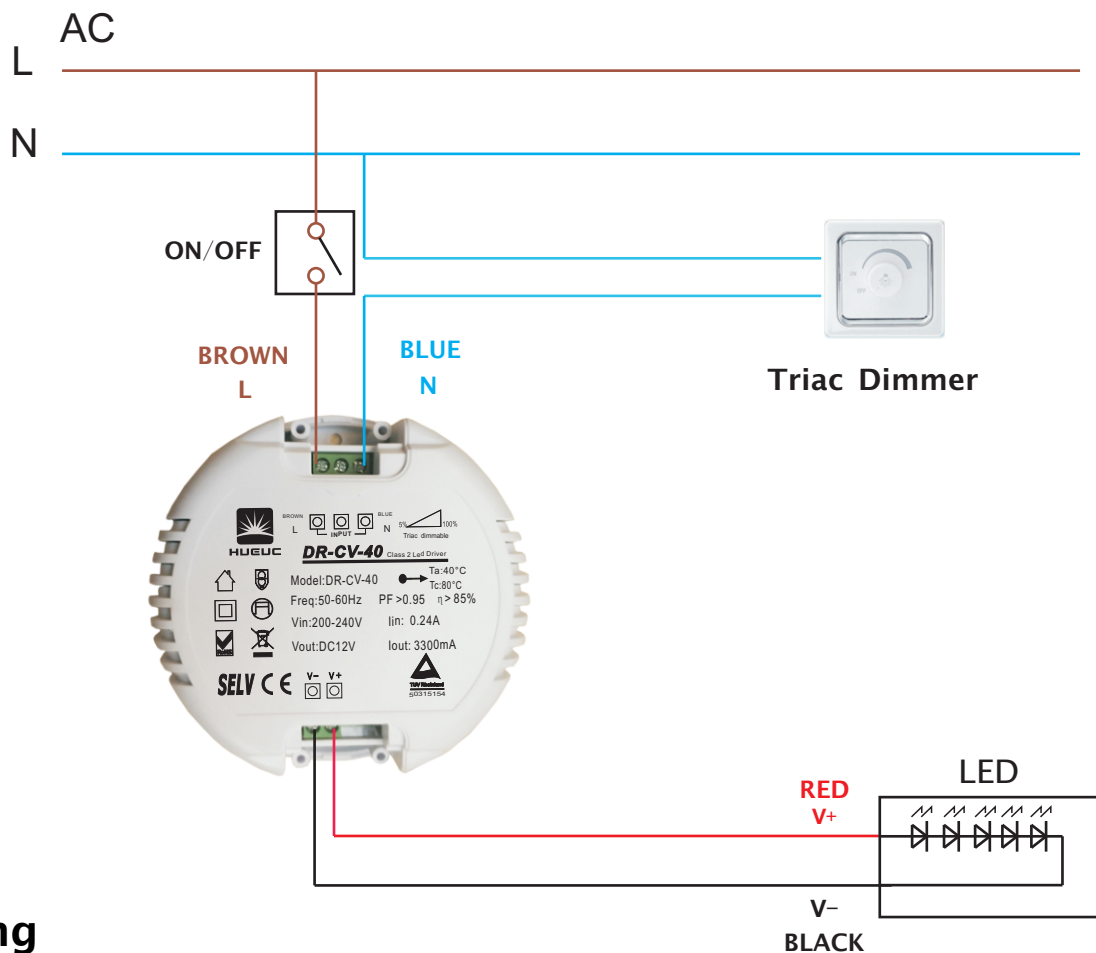
Shell structure

Units: mm



Unit: mm	Overall Size		Installation Size		
Model	diameter	height	vertical spacing	margin	mounting aperture
DR-CV-9	D	H	L1	L2	Φ
	51	17	37	4.7	3.5
DR-CV-12	67	21	53	6.7	3.5
DR-CV-20	73	27	59	6.7	3.5
DR-CV-30	79	31	65.5	6.7	3.5
DR-CV-40	102	31	89	6.3	3.5
DR-CV-60	102	31	89	6.3	3.5

Wiring diagram



Packing

