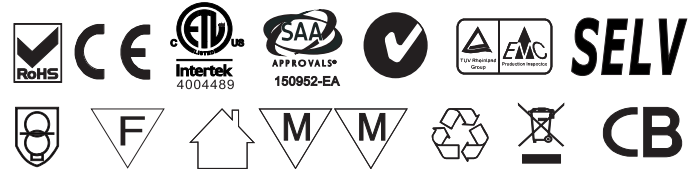


Product features

- Adopt PFC circuit scheme, high factor and low harmonic
- Full-isolation driver
- Fireproof environmental protection PC plastic cover
- Short circuit, over current and over voltage protection.
- Global multi-national certification optional (ETL, TUV, SAA, CB, CE)
- Conform to the world lighting safety standards
- 5 years quality warranty



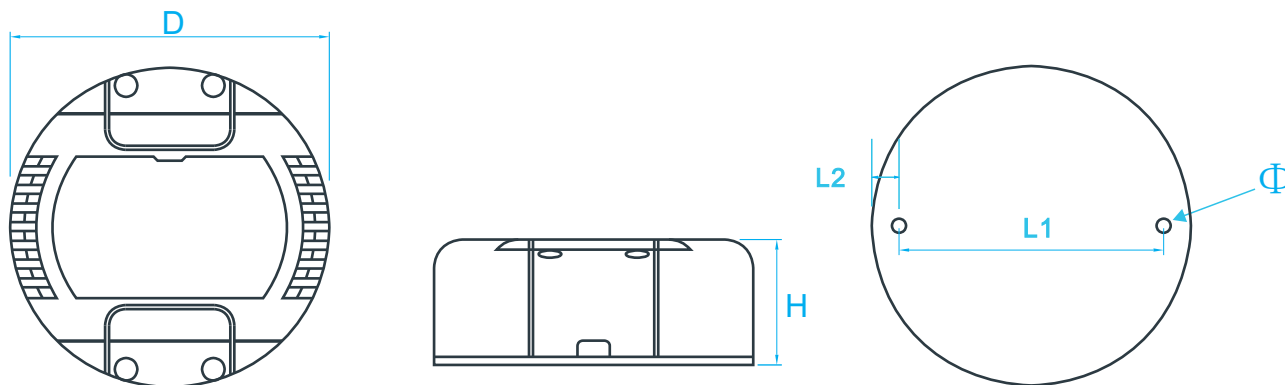
Electrical specifications

Input	Voltage range	90-130&180-240V/AC				
	Frequency range	50-60Hz				
	Power factor	>0.95				
	Full load efficiency	≥85%				
	AC current	0.2A/0.1A				
Output	Rated current	Constant Current			Constant Voltage	
	Rated current	500mA	700mA	900mA	1600mA	830mA
	Current accuracy	±5%	±5%	±5%	±10%	±10%
	Output voltage	28-40V	20-28V	16-22V	12V	24V
	Rated power	20W				
Protection	Short circuit	Intermittent restart mode, after the exception can be automatically restored				
	Overcurrent	Hiccup mode, after the removal of abnormal flow can be automatically restored				
	Overvoltage	Hiccup mode, after the exception of abnormal pressure can be automatically restored				

Environment	Operating Temperature/humidity	-30-45°C,5-95%RH
	Storage Temperature/humidity	-40-70°C,5-95%RH
	Temperature coefficient	± 0.03% / °C(0-50°C)
	Vibration	5-55Hz/2g, 30 Minutes
Safety	Safety	EN60598
	Pressure	I/P-O/P:3KVAC IP-FG:1.88KVAC O/P-FG:0.5KVAC
	Insulation resistance	I/P-O/P I/P-FG O/P-FG:100MΩ /500VDC/25°C/70%RH
	EMC Emission	EN55022, EN55015 Class B
	EMC Immunity	EN61547, ENV5024, EN61000-4-2/3/4/6/8/11
Other	Net weight	100g
	Size	73*27mm

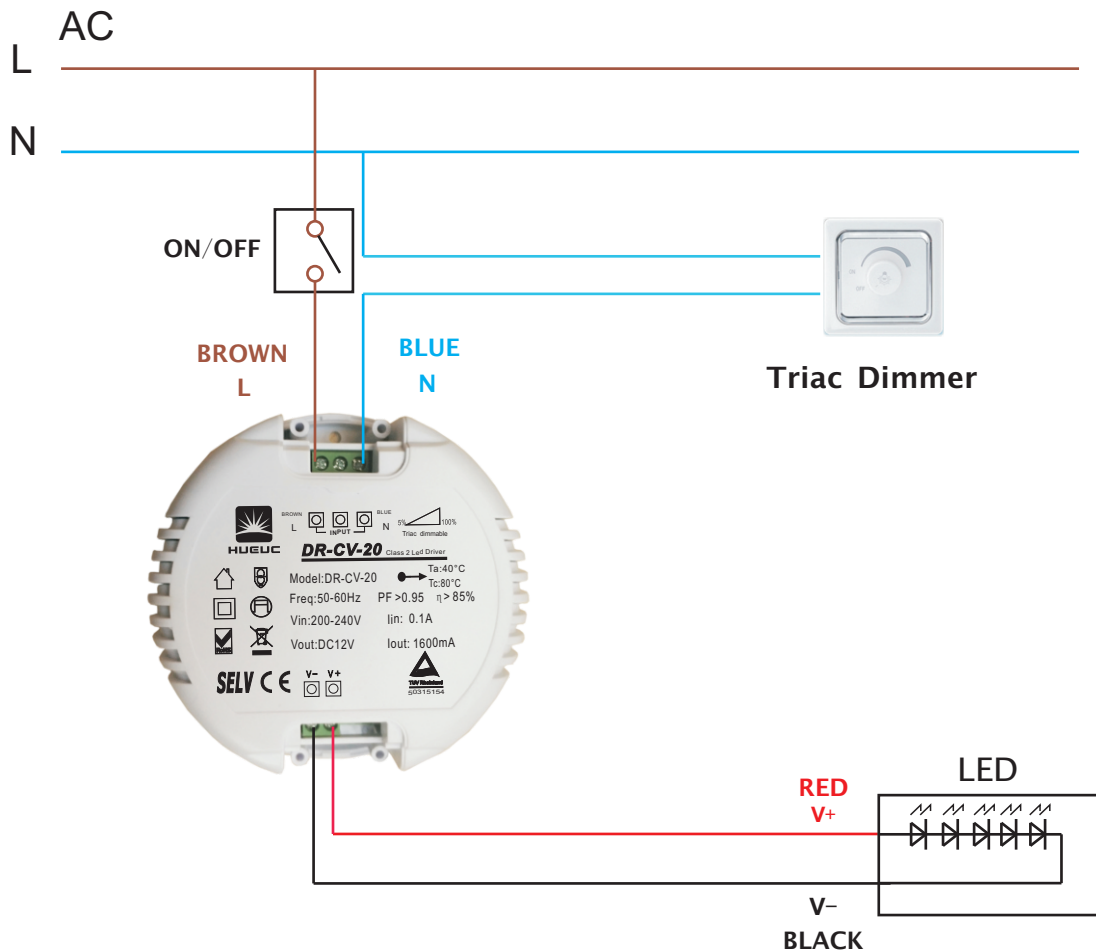
Shell structure

Units: mm



Unit: mm	Overall Size		Installation Size		
Model	diameter	height	vertical spacing	margin	mounting aperture
DR-CV-20	D	H	L1	L2	Φ
	73	27	59	6.7	3.5

Wiring diagram



Packing

