

产品特征

Product Features

- 恒流模式和恒压模式输出可选（客户定制选择）
Selectable constant current and constant voltage output.(Custom on request)
- 全隔离，最大输出功率30瓦
Full-ioslated,delivering up to 30W of power.
- 短路、过流和过压保护。
Short circuit,over current and over voltage protection.
- 防火环保PC塑料外壳
Fireproof environmental protection PC plastic cover
- 符合世界照明安全规范标准
In line with the world lighting safety standards
- 5年质保
5 years quality warranty



电气规格

Electrical specifications

恒流模式 Constant Current

产品型号 Model	输入电压 Input voltage	输出电压 Output voltage	输出电流 Output current	尺寸 Size
DR-CC-12	90-130V/AC& 180-240V/AC	24-34V	350mA	φ67*h21mm A=53mm
		17-24V	500mA	
		12-17V	700mA	
DR-CC-20	90-130V/AC& 180-240V/AC	28-40V	500mA	φ73*h27mm A=59mm
		20-28V	700mA	
		16-22V	900mA	
DR-CC-30	90-130V/AC& 180-240V/AC	30-42V	700mA	φ79*h31mm A=65.5mm
		23-33V	900mA	
		18-25V	1200mA	
DR-CC-60	90-130V/AC& 180-240V/AC	46-66V	900mA	φ102*h31mm A=89mm
		35-50V	1200mA	
		28-40V	1500mA	
		23-33V	1800mA	

恒流模式 Constant Current

产品型号 Model	输入电压 Input voltage	输出电压 Output voltage	输出电流 Output current	净重 Net weight	尺寸 Size
DR-CV-12	90-130V/AC& 180-240V/AC	12V	1000mA	70g	φ67*h21mm A=53mm
		24V	600mA		
DR-CV-20	90-130V/AC& 180-240V/AC	12V	1600mA	100g	φ73*h27mm A=59mm
		24V	850mA		
DR-CV-30	90-130V/AC& 180-240V/AC	12V	2500mA	145g	φ79*h31mm A=65.5mm
		24V	1300mA		
DR-CV-60	90-130V/AC& 180-240V/AC	12V	5000mA	220g	φ102*h31mm A=89mm
		24V	2500mA		

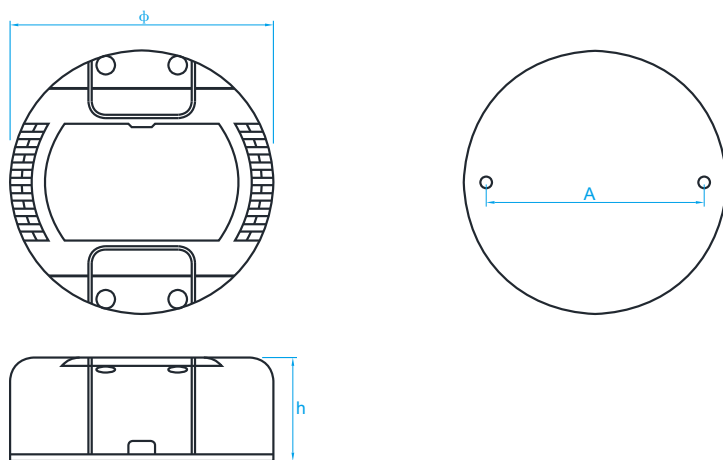
保护 protect	短路保护 Short circuit protection	间歇重启模式，异常排除后可自动恢复 Intermittent restart mode, after the exception can be automatically restored
	过流保护 Overcurrent protection	打嗝模式，过流异常排除后可自动恢复 Hiccup mode, after the removal of abnormal flow can be automatically restored
	过压保护 Overvoltage protection	打嗝模式，过压异常排除后可自动恢复 Hiccup mode, after the exception of abnormal pressure can be automatically restored

环境 Environment	工作温度、湿度 Operating Temperature/humidity	-30-45°C, 5-95%RH
	储存温度、湿度 Storage Temperature/humidity	-40-70°C, 5-95%RH
	温度系数 Temperature coefficient	±0.03%/°C(0-50°C)
	耐振动 Vibration	5-55Hz/2g, 30 Minutes

安规和EMC Safety	安全规范 Safety	EN60598
	耐压 Pressure	I/P-O/P:3KVAC IP-FG:1.88KVAC O/P-FG:0.5KVAC
	绝缘阻抗 Insulation resistance	I/P-O/P I/P-FG O/P-FG:100MΩ/500VDC/25°C/70%RH
	电磁兼容发射 EMC Emission	EN55022, EN55015 Class B
	电磁兼容抗扰性 EMC Immunity	EN61547, EN55024, EN61000-4-2/3/4/6/8/11

外壳结构

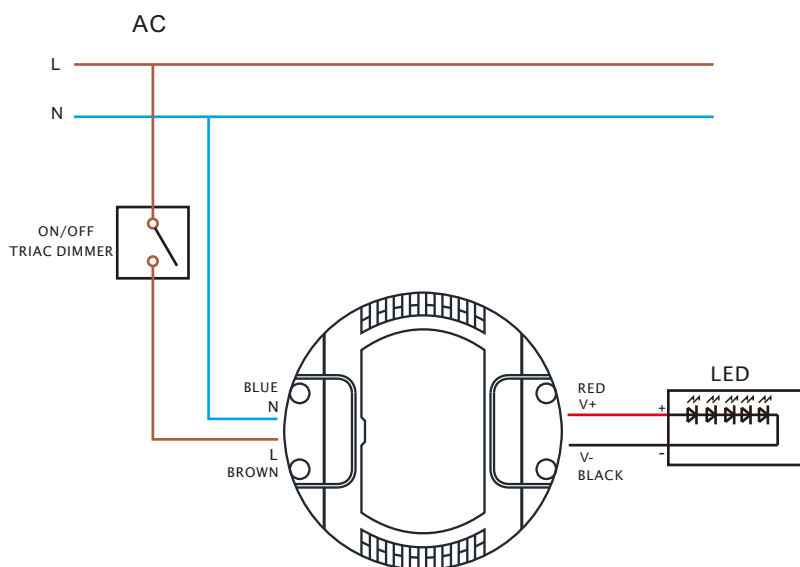
Shell structure



单位：毫米
Units:mm

可控硅调光接线图

Triac dimmer wiring diagram



包装

Packing

功率 Power	C	D
12W		
20W		
30W	18PCS	54PCS
60W	12PCS	36PCS

