

# Filter Regulator

## Specification

Type	AF2000A	AF3000A	AF4000A	AF5000A	AF6000
Port size NPT	1/8" • 1/4"	1/4" • 3/8"	3/8" • 1/2"	3/4" • 1"	3/4" • 1"
Fluid	Compressed Air				
Operating pressure range	0.15~0.85Mpa(22-123Psi)				
Max.Flow rate L/min	900	2000	3000	5000	
Ambient temperature	-10~60°C ( 14~140 ° F )				
Filter precision	5μ m or 40μm				
Cup material	Polycarbonate				
Guard cup	•	•	•	•	

Notes 1:The guard cup of AF2000A series can be optional. 2:The cups of AF2000A、AF3000A series can be optional

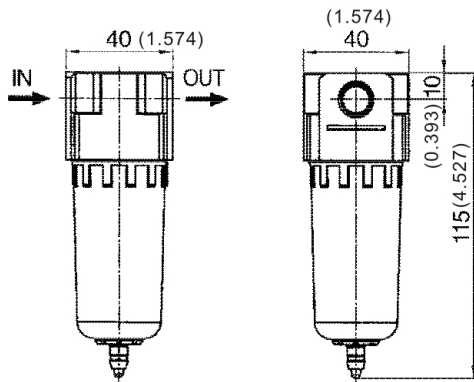


## Ordering Code

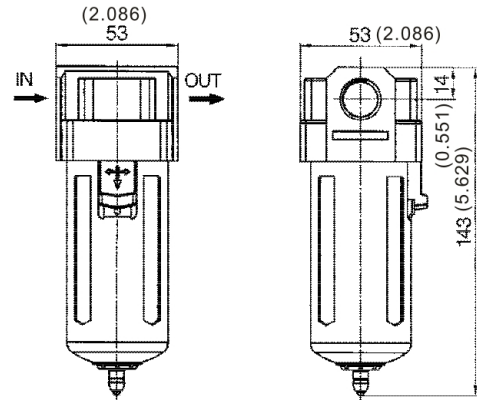
<b>SFAF</b>	-	<b>5000</b>	-	<b>A</b>	-	<b>06</b>	-	<b>D</b>
AC Filter		Type:		A: Improved type; Blank: Old type		Port size		□: Differential pressure drain;
		2000 3000 4000 5000 6000				01:NPT1/8", 02:NPT1/4",03:NPT3/8", 04:NPT1/2",06:NPT3/4", 08:NPT1"		D: Auto-drain;

Overall Dimension      mm(inch)

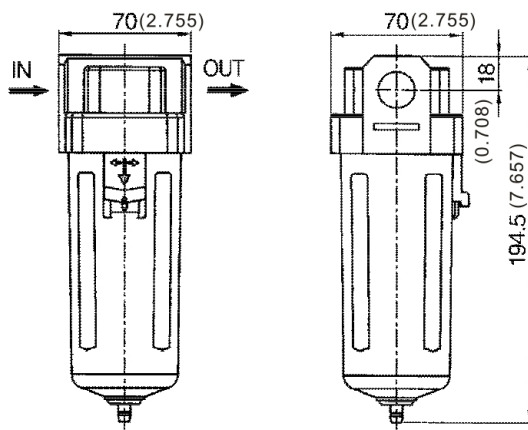
SFAF2000A-01、02



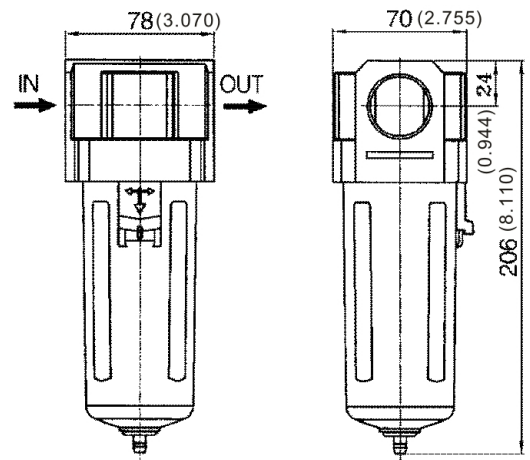
SFAF3000A-02、03



SFAF4000A-03、04



SFAF5000A-06、08



SFAF6000A-06、08

