



# PoE Gigabit Ethernet Switch

## NT-G2400-AF4

### Overview

To satisfy the increasing demand of PoE for Gigabit Ethernet (GE) networking, N-net has developed this series of PoE GE switch. The NT-G2400-AF4 is a 6-port GE switch, which provides 4× 10/100/1000M 802.3af PoE copper ports and 2× 1000Base-X fiber ports.

The NT-G2400-AF4 supports 60-watt PoE budget to drive up to 4 IEEE 802.3af compliant powered devices simultaneously. The PoE feature enables the NT-G2400-AF4 an efficient and cost-effective solution for SMB, SOHO and other similar fields to deploy the PoE network for the wireless access points, IP-based surveillance cameras or IP phones anywhere easily and efficiently.

### Features

- ✧ Built-in efficient switching core to implement flow control and reduce broadcast packets
- ✧ Standard Compliance:
  - IEEE802.3 10Base-T
  - IEEE802.3u 100Base-TX
  - IEEE802.3ab 1000Base-T
  - IEEE802.3z 1000Base-X
  - IEEE802.3x Flow Control
  - IEEE802.3af PoE
- ✧ 10/100/1000M copper ports automatically identify the direct line and cross-line, compatible with various cards, switches, HUB and other Ethernet devices
- ✧ Store-and-forward mechanism is employed to avoid packet loss and error frames
- ✧ Support full-duplex flow control / half-duplex back pressure mode
- ✧ Maximum of 9720 bytes Jumbo frame supported
- ✧ 52V DC power input
- ✧ -20 To 70 °C operating temperature to meet a variety of complex environments
- ✧ Copper ports support ESD protection
- ✧ Support PoE power supply up to maximum of 15W



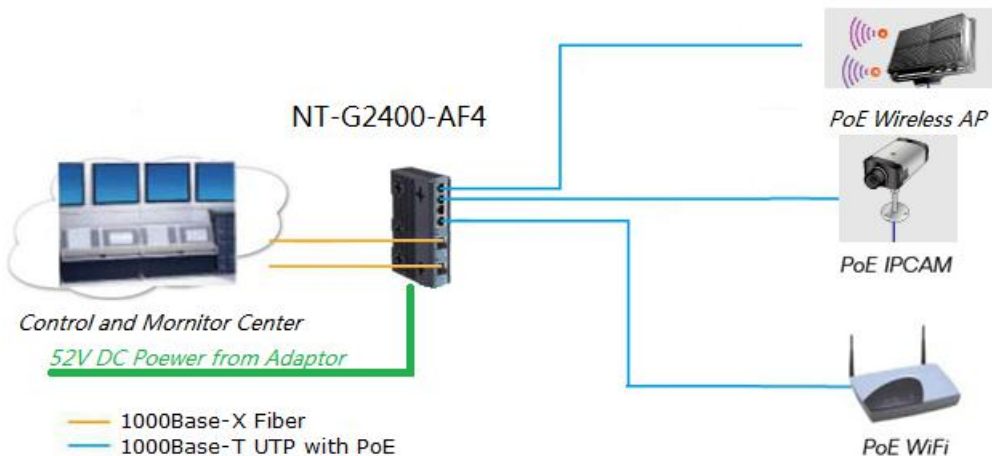
# PoE Gigabit Ethernet Switch

## NT-G2400-AF4

### ❖ Specifications

Parameter	Specifications
Access mode	10/100/1000Mbps
Standard	IEEE802.3 10Base-T, IEEE802.3u 100Base-TX, IEEE802.3ab 1000Base-T, IEEE802.3z 1000Base-X, IEEE802.3x Flow Control, IEEE802.3af PoE
Wavelength	850nm/1310nm/1550nm
Transmission distance	Dual-fiber multi-mode: 2km Single fiber single mode: 20/40/60/80km Dual-fiber single mode: 20/40/60/80/100km Category-5 twisted pairs: 100m
Port	4 RJ45 ports: Connecting STP/UTP category-5 twisted pairs, EIA568A/B 2 Fiber ports: Multi-mode :SC / FC/LC(50/125, 62.5/125μm) Single mode : SC / FC/LC (8.3/125, 8.7/125, 9/125 or 10/125μm)
Conversion means	Store and Forward
Flow control	Full duplex: flow control; Half duplex: back pressure
Address table	4KB
Buffer space	Built in 1024Kb RAM for data buffer
BER	<10 <sup>-9</sup>
MTBF	50,000 hours
LED indicator	Power Supply: PWR (1~2)Fiber port: L/A (1~4)UTP Port: SPD, L/A, PoE
Power supply	Power Input Range: 52VDC, Power Interface: DC Power Jack
Power Requirement	<a href="#">52VDC@1.25A</a> 65W
Power consumption	<5W
PoE Power Pins	RJ45: Mode A -- pins 1 and 2 for PoE Positive; 3 and 6 for PoE Negative Mode B -- pins 4 and 5 for PoE Positive; 7 and 8 for PoE Negative Note: Powering mode is only optional in production
Operating temperature	-20~70°C
Operating humidity	5%~90% non-condensing
Storage Temperature	-20~70°C
Storage humidity	5%~90% non-condensing
Dimensions	170.50mm (W)×80.50mm (D)×30.00mm (H)
Weight	

### Application



### Dimensions

