



# Industrial Fast Ethernet media converter with RS232/422/485 data NT-IN111D series

## ❖ Overview

NT-IN111D is Industrial Fast Ethernet media converter equipped with one 10/100M UTP port and low-speed data. It provides one 10/100Base-T ports, 3 low-speed data ports and one 100Bse-FX port. With strictly industrial design, it is fundamental guarantee for stability and practicability to flexible extends transmitting distance of the Ethernet and low speed data in the extreme industrial environment.

Apply NT-IN111D industrial media converter equipping low-speed data port with NT-IN114D industrial switch, the buffering of heavy traffic burst, rate smoothing of network service and remote transmission of low-speed data can perfectly resolve, having the leading feature advantage in this field.

NT-IN111D industrial media converter can install in control cabinet by adopting optional way of DIN-RIAL or Wall mount. It is a compact product, supporting wide working temperature, redundant power input, IP40 protection, LED indicator light, being a best choice for the industrial special application and a reliable solution for your industrial Ethernet connections.

## ❖ Features

- ❖ Protocols: IEEE802.3/u, 10Base-T、100Base-TX
- ❖ 10/100Base-TX can automatically identify the direct line and cross-line, is compatible with Various cards, switches, HUB and other Ethernet devices
- ❖ Take cut-through and forward technology, efficiently reducing the time-delay on network.
- ❖ Support Max up to 11K Bytes packet transmission
- ❖ Support cut-through transmission and full-duplex flow control / half-duplex back pressure mode
- ❖ Support 3 low-speed data port, each can set as a separated RS232,RS485 or contact closure type.
- ❖ Low-speed data passage adopt Time Division Multiplexing transmit, that makes low delay and easy apply without occupy IP address.
- ❖ Low-speed data port support 0-115200bps speed
- ❖ Low-speed data port support multi protection from lightning, surge, overvoltage and ESD
- ❖ 12V to 48V DC or 24V AC Wide power input, redundant power and reverse polarity protection
- ❖ Support remote power off detection and indication
- ❖ -40 To 80℃ operating temperature to meet a variety of complex environments
- ❖ IP40 protection standard housing
- ❖ Power port and Ethernet port supports ESD protection and EFT protection
- ❖ DIN rail and panel mounting for efficient usage
- ❖ Support dual-fiber multi-mode, dual-fiber single-mode and single-fiber single-mode fiber port selection, expanded the needs of users



# Industrial Fast Ethernet media converter with RS232/422/485 data NT-IN111D series

❖ **Specification:**

Parameter	Specifications
Design Level	Industrial grade IP40 design standards
Access mode	10/100Mbps
Standard	IEEE802.3/u、10Base-T、100Base-TX
Wavelength	1310nm/1550nm
Transmission distance	Dual-fiber multi-mode:2 km Single fiber single mode: 20/40/60/80/100 km Dual-fiber single mode:20/40/60/80/100 /120 km Category-5 twisted pairs: 100m
Port	One RJ45 port: Connecting STP/UTP category-5 twisted pairs, EIA568A/B One optical port: Multi-mode :SC / FC/LC(50/125, 62.5/125µm) Single mode : SC / FC/LC (9/125) 3 low-speed data port, Industrial terminals, connecting to RS232,R485,contact closure according to the setting
Conversion means	Store and Forward mode or Time division
Flow control	Full duplex: flow control; Half duplex: back pressure
BER	<10 <sup>-9</sup>
MTBF	50,000 hrs
LED indicator	L/A(Link/Transmit),100M(Speed), PWR(Power),RPF(Remote power-off),SD(Fiber signal) D1(Data passage 1 signal),D2(Data passage 2 signal),D3(Data passage 3 signal)
Power supply	Power Input Range: 12 ~ 48VDC/24VAC , 6-PIN Terminals, Redundant dual power, support power-off detection
Power consumption	<2W (without PSE function)
Operating temperature	-40~80°C
Operating humidity	5%~90% non-condensing
Storage Temperature	-40~80°C
Storage humidity	5%~90% non-condensing
Dimensions	155mm(length)×125mm(wide)×50mm(height)
Weight	



# Industrial Fast Ethernet media converter with RS232/422/485 data NT-IN111D series

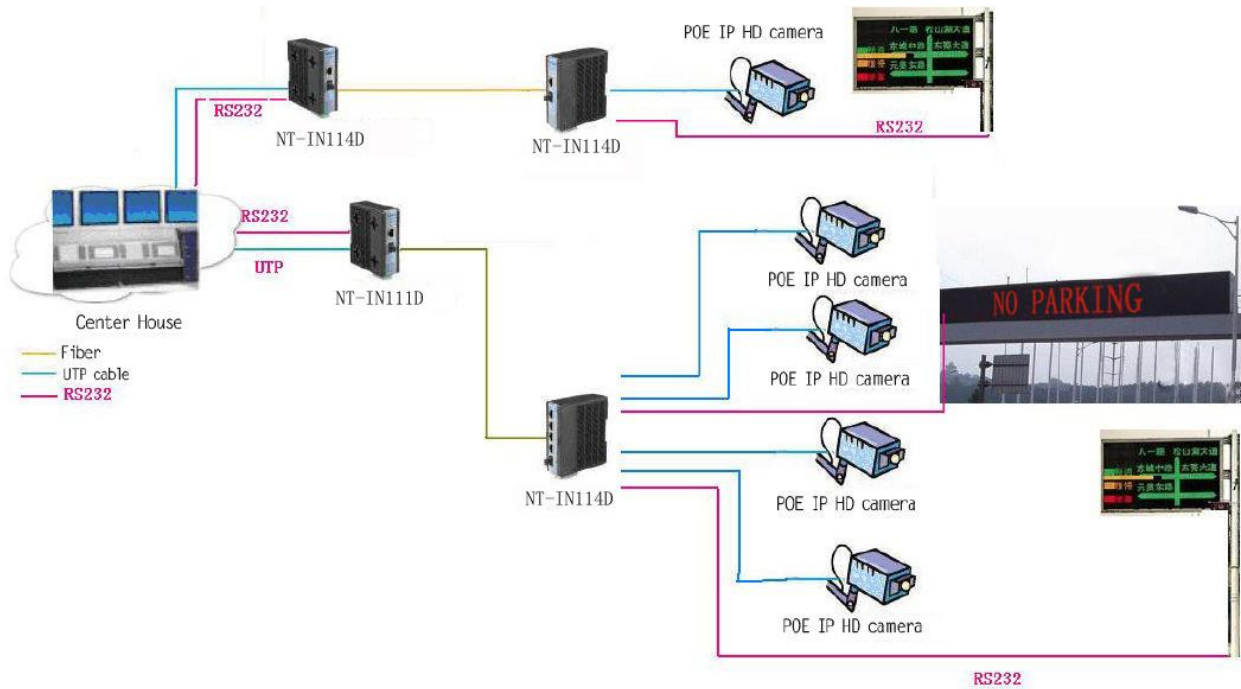
## ❖ Certification

Certification	
EMI	FCC Part 15, CISPR (EN55022) class A
EMC	FCC,CE
EMS	EN61000-4-2 (ESD), Level 4 EN61000-4-3 (RS), Level 3 EN61000-4-4 (EFT), Level 4 EN61000-4-5 (Surge), Level 4 EN61000-4-6 (CS), Level 3 EN61000-4-8, Level 5 EN61000-4-11
Shock	IEC 60068-2-27
Free Fall	IEC 60068-2-32
Vibration	IEC 60068-2-6
Green product	RoHS

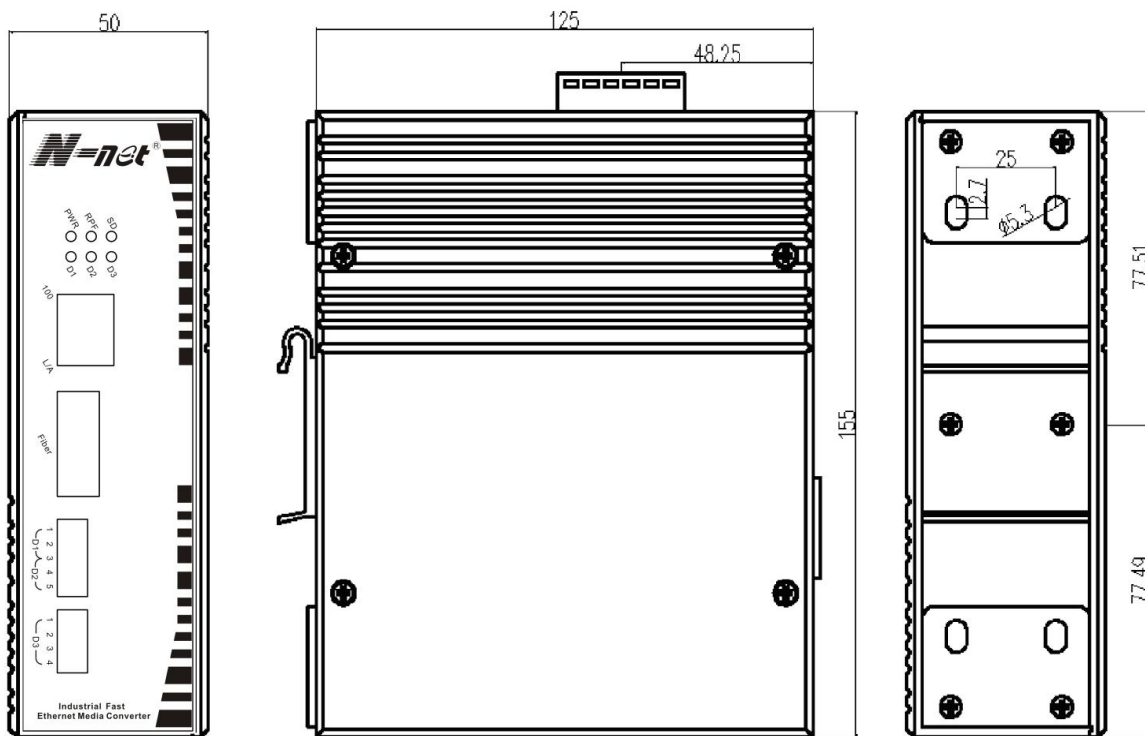


# Industrial Fast Ethernet media converter with RS232/422/485 data NT-IN111D series

## ❖ Application



## ❖ Dimension



N-Net Technology Co., Ltd

Address: 5-6 floor, C Building, Yiyuantong Industrial Zone, Xuexiang Community, Bantian, Longgang District, Shenzhen, 518129, China  
Tel: +86-755-8387 4688 Fax: +86-755-83420578 E-mail: [sales@n-net.com.cn](mailto:sales@n-net.com.cn) Web: <http://www.n-net.com.cn>

