



# Fast Ethernet PoE Switch

## 4 port POE and one 100M uplink fiber port

### NT-1400-AF4 series

#### ❖ Overview

To satisfy the increasing demand of PoE for Fast Ethernet (FE) networking, N-net has developed this series of PoE FE switch. The NT-1400-AF4 is a 5-port FE media converter, which provides (4) 10/100BASE-TX 802.3af/ at PoE copper ports and one uplink 10/100BASE-FX fiber port.

The NT-1400-AF4 supports 60-watt PoE budget to power up to 4 IEEE 802.3af (or 2 IEEE 802.3 at) compliant powered devices simultaneously. The PoE features make NT-1400-AF4 an efficient and cost-effective solution for SMB, SOHO or other similar fields where there is deployment of PoE network for the wireless access points, IP-based surveillance cameras or IP phones anywhere else.

#### Features

- ❖ Built-in efficient switching core to implement flow control and reduce broadcast packets
- ❖ Standard Compliance: IEEE802.3 Ethernet, IEEE802.3u Fast Ethernet, IEEE802.3x Flow Control, IEEE802.3af/ at PoE
- ❖ 10/100Base-TX automatically identify the direct line and cross-line, compatible with various cards, switches, HUB and other Ethernet devices
- ❖ Store-and-forward mechanism employed to avoid packet loss and error frames
- ❖ Support full-duplex flow control / half-duplex back pressure
- ❖ Jumbo frames support a maximum of 1552 bytes
- ❖ 48 DC power input
- ❖ -20 To 70 °C operating temperature to meet a variety of complex environments
- ❖ Support ESD protection at Ethernet ports
- ❖ Dual-fiber multi-mode/ single-mode and single-fiber single-mode available
- ❖ Support PoE power supply up to 30W



# Fast Ethernet PoE Switch

4 port POE and one 100M uplink fiber port

NT-1400-AF4 series

## ❖ Specifications

Parameter	Specifications
Access mode	10/100Mbps
Standard	IEEE802.3 Ethernet, IEEE802.3u Fast Ethernet, IEEE802.3x Flow Control, IEEE802.3af/ at PoE
Wavelength	1310nm/1550nm
Transmission distance	Dual-fiber multi-mode:2km Single fiber single mode: 20/40/60/80km Dual-fiber single mode:20/40/60/80/100km Category-5 twisted pairs: 100m
Port	4 RJ45 ports: Connecting STP/UTP category-5 twisted pairs, EIA568A/B 1 optical port: Multi-mode :SC / FC/LC(50/125, 62.5/125 $\mu$ m) Single mode : SC / FC/LC (8.3/125, 8.7/125, 9/125 or 10/125 $\mu$ m)
Conversion means	Store and Forward
Flow control	Full duplex: flow control; Half duplex: back pressure
BER	<10 <sup>-9</sup>
MTBF	50,000 hours
LED indicator	Power Supply : PWR Uplink: L/A, SPD (1~4)UTP Port: PoE, L/A
Power supply	Power Input Range: 48VDC, Power Interface: DC Power Jack
Power Requirement	48VDC @ 1.25A 60W
Power consumption	<5W
Operating temperature	-20~70°C
Operating humidity	5%~90% non-condensing
Storage Temperature	-20~70°C
Storage humidity	5%~90% non-condensing
Dimensions	110.20mm (W)×95.70mm (D)×30.00mm (H)
Weight	

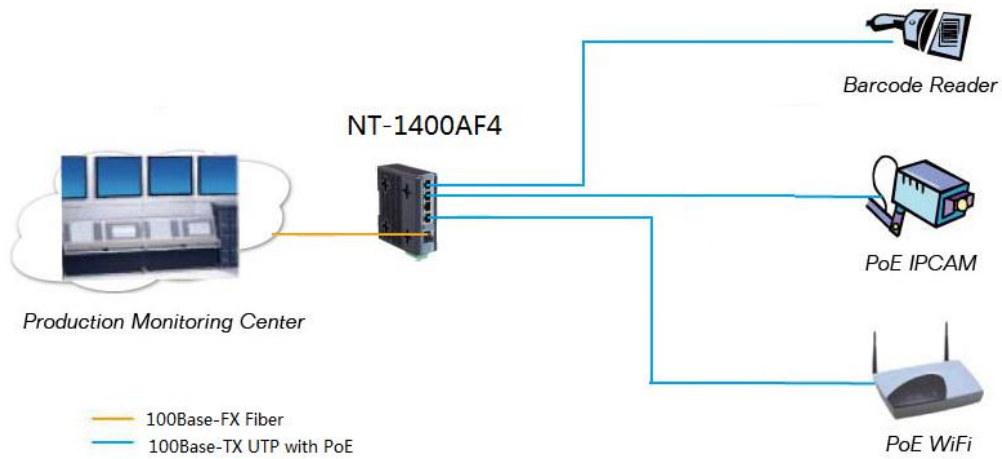


# Fast Ethernet PoE Switch

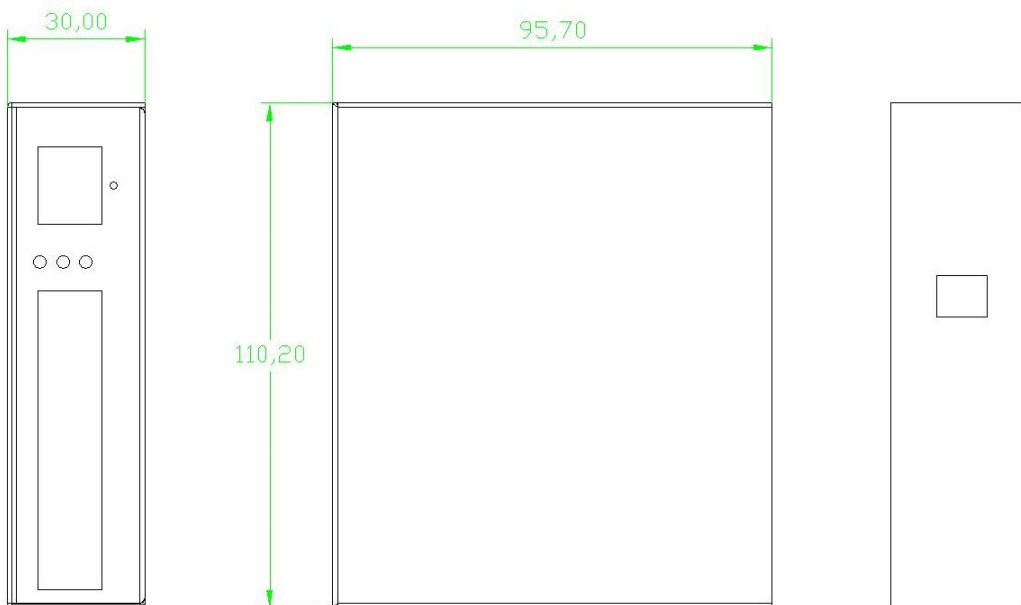
## 4 port POE and one 100M uplink fiber port

NT-1400-AF4 series

### Application



### Dimensions





# Fast Ethernet PoE Switch

4 port POE and one 100M uplink fiber port

NT-1400-AF4 series

Hot Model	Description
NT-1400-AF4-2	10/100M, 5-port Fiber POE switch, one fiber port, dual fiber, MM, SC 2km, 4 RJ45 ports with 802.3af standard POE, power supply 48V 1.25A
NT-1400S-AF4-20	10/100M, 5-port Fiber POE switch, one fiber port, dual fiber, SM, SC 20km, 4 RJ45 ports with 802.3af standard POE, power supply 48V 1.25A
NT-1400S-AF4-40	10/100M, 5-port Fiber POE switch, one fiber port, dual fiber, SM, SC 40km, 4 RJ45 ports with 802.3af standard POE, power supply 48V 1.25A
NT-S1400-AF4-20	10/100M, 5-port Fiber POE switch, one fiber port, single fiber, SM, SC 20km, 4 RJ45 ports with 802.3af standard POE, power supply 48V 1.25A
NT-S1400-AF4-40	10/100M, 5-port Fiber POE switch, one fiber port, single fiber, SM, SC 40km, 4 RJ45 ports with 802.3af standard POE, power supply 48V 1.25A
NT-S1400-AF4-60	10/100M, 5-port Fiber POE switch, one fiber port, single fiber, SM, SC 60km, 4 RJ45 ports with 802.3af standard POE, power supply 48V 1.25A