



PoE Gigabit Ethernet Switch

NT-WG500-AF4 series

Overview

To satisfy the increasing demand of PoE for Gigabit Ethernet (GbE) networking, N-net has developed this series of PoE GbE switch. The NT-WG500-AF4 is a 5-port GbE switch, which provides 5X 10/100/1000BASE-T 802.3af/ at PoE copper ports, one of which serves as an uplink port, without PoE feature.

The NT-WG500-AF4 supports 60-watt PoE budget to drive up to 4 IEEE 802.3af (or 2 IEEE 802.3 at) compliant powered devices simultaneously. The PoE feature enables the NT-WG500-AF4 an efficient and cost-effective solution for SMB, SOHO and other similar fields to deploy the PoE network for wireless access points, IP-based surveillance cameras or IP phones anywhere easily and efficiently.

Features

- ✧ Built-in efficient switching core to implement flow control and reduce broadcast packets
- ✧ POE switch Standard: IEEE802.3 Ethernet, IEEE802.3u Gigabit Ethernet, IEEE802.3ab Gigabit Ethernet, IEEE802.3x Flow Control, IEEE802.3af/ at PoE
- ✧ Automatic identification of direct and cross-line cables, compatible with various cards, switches, HUB and other Ethernet devices
- ✧ Store-and-forward mechanism is employed to avoid packet loss and error frames
- ✧ Support full-duplex flow control / half-duplex back pressure mode
- ✧ Jumbo frames support a maximum of 9K bytes
- ✧ 48 VDC power input
- ✧ -20 To 70 °C operating temperature to meet a variety of complex environments
- ✧ Copper ports support ESD protection
- ✧ Support PoE power supply up to maximum of 30W



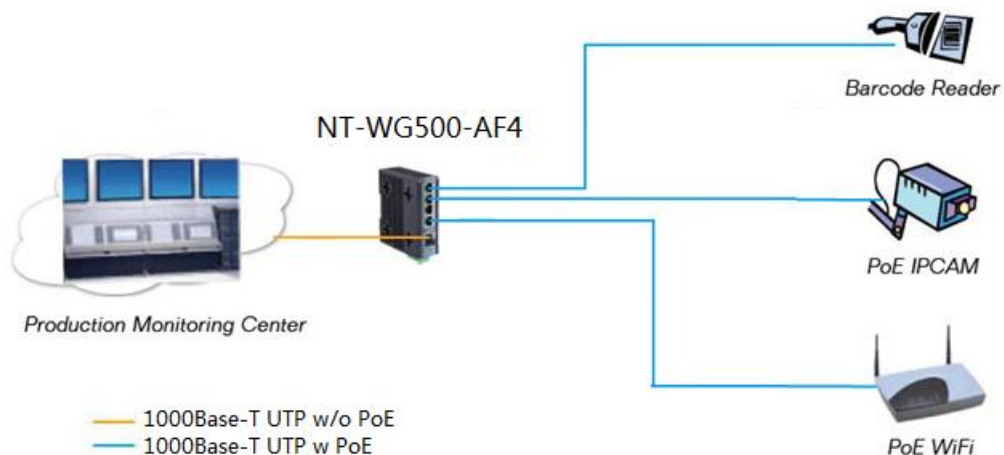
PoE Gigabit Ethernet Switch

NT-WG500-AF4 series

❖ Specifications

Parameter	Specifications
Access mode	10/100/1000Mbps
Standard	IEEE802.3 Ethernet, IEEE802.3u Gigabit Ethernet, IEEE802.3ab Gigabit Ethernet, IEEE802.3x Flow Control, IEEE802.3af/ at PoE
Wavelength	1310nm/1550nm
Transmission distance	Category-5 twisted pairs: 100m
Port	5X RJ45 ports: Connecting STP/UTP category-5 twisted pairs, EIA568A/B
Conversion means	Store and Forward
Flow control	Full duplex: flow control; Half duplex: back pressure
Address table	8K-entry look-up table with auto-learning function
Buffer space	Built in 1Mb SRAM for data buffer
BER	$<10^{-9}$
MTBF	50,000 hours
LED indicator	Power interface: PWR (System power supply indicator) Copper port (1~4): PoE (PoE supply indicator) Copper port (1~4), UPLINK: SPD (Data transfer rate indicator) Copper port (1~4), UPLINK: L/A(Link and active status indicator)
Power supply	Power Input Range: 48VDC, Power Interface: DC Power Jack
Power Requirement	48VDC @ 1.25A 60W
PoE pinout of RJ45	1/2 (+) , 3/6 (-)
Power consumption	$<5W$
Operating temperature	-20~70°C
Operating humidity	5%~90% non-condensing
Storage Temperature	-20~70°C
Storage humidity	5%~90% non-condensing
Dimensions	110.20mm (W)×95.70mm (D)×30.00mm (H)
Weight	

Application



Dimensions

