



GCL-P6/72H

HIGH EFFICIENCY
MULTICRYSTALLINE MODULE

GCL-P6/72H 315-335 Watt

335^W

MAXIMUM POWER OUTPUT

17.3%

MAXIMUM MODULE EFFICIENCY

0~+5^W

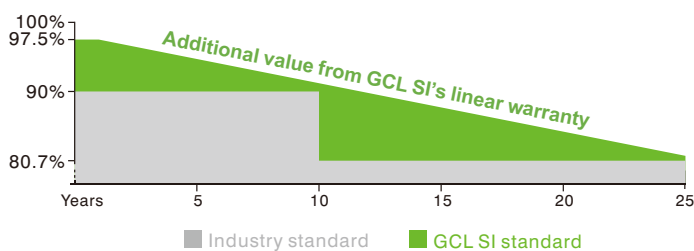
POWER OUTPUT GUARANTEE

Trust GCL to Deliver Reliable Performance Over Time

- World-class manufacturer of crystalline silicon photovoltaic modules
- Fully automatic facility and world-class technology
- Rigorous quality control to meet the highest standard:
ISO9001:2008, ISO 14001: 2004 and OHSAS: 18001 2007
- Long term reliability tests
- 2*100% EL inspection ensuring defect-free modules

LINEAR PERFORMANCE WARRANTY

10 Years Product Warranty 25 Years Linear Power Warranty



Ideal choice for large scale ground installation



High conversion efficiency due to top quality wafer and advanced cell technology



Selected encapsulating material and stringent production process control ensure product highly PID resistant and snail trails free



Withstand up to 1500V system voltage effectively reduce BOS cost



Optimized system performance by module level current sorting



Special cell process ensures great performance in low irradiance environment



Additional yield and easy maintenance with high transparent self-cleaning glass

Additional insurance backed by Swiss RE



According to UL 1703



Bringing Green Power to Life

GCL-P6/72H

HIGH EFFICIENCY MULTICRYSTALLINE MODULE

ELECTRICAL SPECIFICATION (STC)

TYPE (STC)	GCL-P6/72H 315	GCL-P6/72H 320	GCL-P6/72H 325	GCL-P6/72H 330	GCL-P6/72H 335
Maximum Power P_{max} (W)	315	320	325	330	335
Maximum Power Voltage V_m (V)	37.2	37.4	37.6	37.8	38.0
Maximum Power Current I_m (A)	8.47	8.56	8.64	8.73	8.82
Open Circuit Voltage V_{oc} (V)	45.6	45.8	46	46.2	46.4
Short Circuit Current I_{sc} (A)	9.08	9.17	9.24	9.33	9.41
Module Efficiency (%)	16.2	16.5	16.7	17.0	17.3
Power Output Tolerance P_m (W)	0~+5				

Values at Standard Test Conditions STC (Air Mass AM1.5, Irradiance 1000W/m², Cell Temperature 25°C).

ELECTRICAL DATA (NOCT)

Maximum Power P_{max} (W)	227.14	231.2	234.61	237.71	240.47
Maximum Power Voltage V_m (V)	33.8	34.1	34.3	34.5	34.7
Maximum Power Current I_m (A)	6.72	6.78	6.84	6.89	6.93
Open Circuit Voltage V_{oc} (V)	42.4	42.5	42.7	42.9	43.1
Short Circuit Current I_{sc} (A)	7.30	7.38	7.46	7.58	7.63

NOCT: Irradiance at 800W/m², Ambient Temperature 20°C, Wind Speed 1m/s.

MECHANICAL DATA

Solar Cells	Poly 156.75×156.75mm (6 inches)
Cell Orientation	72 Cells (6×12)
Module Dimensions	1956×992×40mm (77 × 39.05 × 1.57 inches)
Weight	22.5Kg/26Kg
Glass	High transparency solar glass 3.2mm (0.13 inches) or 4mm (0.16 inches)
Backsheet	White
Frame	Silver, anodized aluminium alloy
J-Box	IP68 Rated
Cables	4.0mm ² (0.006 inches ²), 1200mm (47.2 inches)
Connector	Original MC4 or PV-ZH202B
Wind Load/ Snow Load	2400Pa/5400Pa*

*For more details please check the installation manual of GCLSI

TEMPERATURE RATINGS

Nominal Operating Cell Temperature (NOCT)	45 ± 2°C
Temperature Coefficient of P_{max}	-0.41%/°C
Temperature Coefficient of V_{oc}	-0.32%/°C
Temperature Coefficient of I_{sc}	+0.055%/°C

MAXIMUM RATINGS

Operational Temperature	-40~+85°C
Maximum System Voltage	1500V DC(IEC)
Max Series Fuse Rating	15A

WARRANTY

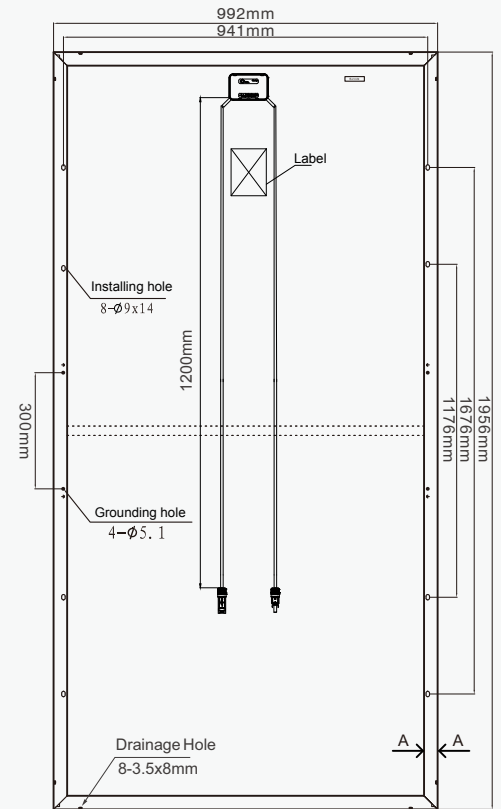
- 10 years Product Workmanship Warranty
- 25 years Linear Power Warranty

(Please refer to GCL standard warranty for details)

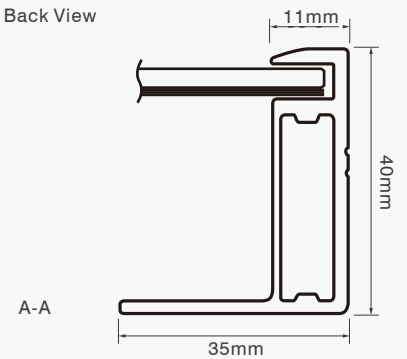
PACKAGING CONFIGURATION

- Modules per box: 26 pieces
- Modules per 40'HD container: 624 pieces

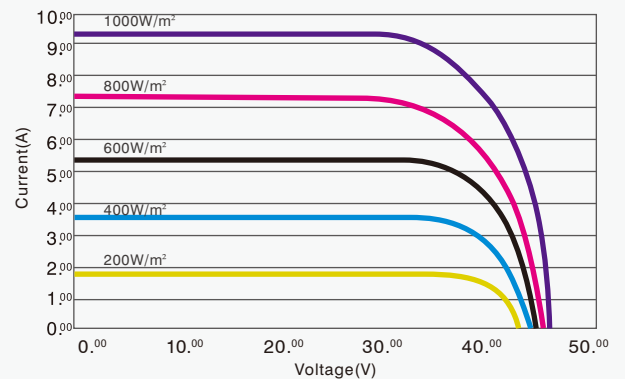
MODULE DIMENSION



Back View



I-V CURVES OF MODULE (330W)



Excellent performance under weak light conditions: at an irradiance intensity of 200W/m² W/m (AM 1.5, 25 °C), 96.5% or higher of the STC efficiency (1000 W/m²) is achieved

Made in China

