

# DM-12SSN20 DC SPUR GEAR MOTOR

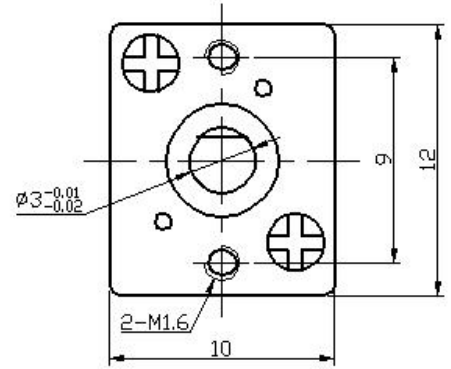
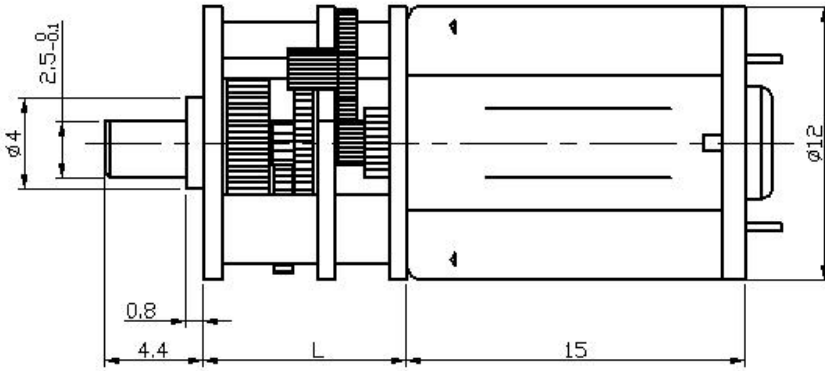
基本电压/Main voltage : 3VDC、4.5VDC、6VDC、12VDC

典型应用/Typical applications :

仪器仪表、数码产品、自动门锁、医疗器械、安防监控

Instrument, Digital product, Automatic door-lock,

Medical equipment, Security monitoring



## Gearbox Data :

Number of stages	2	4	5	7
Reduction ratio	3、5、10	17、20、30、36 50、63、100	110、150、210 250、298、380	372、625、1000
Gearbox length "L"mm	9	9	9	12
Breaking torque(kgf.cm)	0.6	0.9	1.2	2
Gearbox efficiency	81%	65%	59%	48%

## Driving Motor Data :

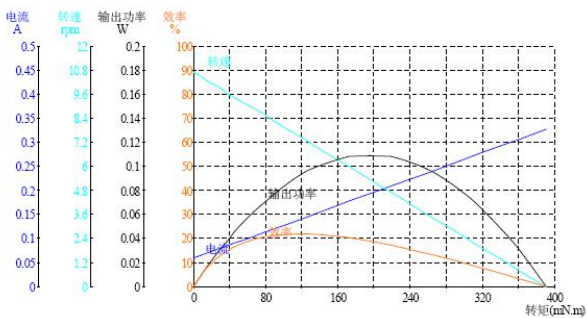
Motor model	Rated Volt.	No load		Load				Stall	
		Current	Speed	Current	Speed	Torque	Output power	Torque	Current
	V	mA	r/min	mA	r/min	gf.cm	W	gf.cm	mA
DM-N20-003-10000	3	$\leq 50$	10000	$\leq 185$	8000	2	0.2	$\geq 8$	$\geq 350$
DM-N20-003-15000	3	$\leq 80$	15000	$\leq 280$	12400	3	0.4	$\geq 12$	$\geq 520$
DM-N20-003-20000	3	$\leq 110$	20000	$\leq 370$	15500	4	0.6	$\geq 16$	$\geq 700$
DM-N20-006-10000	6	$\leq 25$	10000	$\leq 95$	8000	2	0.2	$\geq 8$	$\geq 160$
DM-N20-006-15000	6	$\leq 40$	15000	$\leq 145$	12400	3	0.4	$\geq 12$	$\geq 250$
DM-N20-006-20000	6	$\leq 60$	20000	$\leq 190$	15500	4	0.6	$\geq 16$	$\geq 320$

## Geared Motor Data :

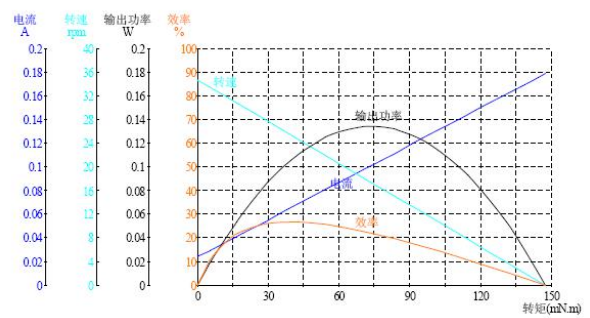
Motor model	Rated Volt.	No load		Load				Stall	
		Current	Speed	Current	Speed	Torque	Output power	Torque	Current
	V	A	r/min	A	r/min	kgf.cm	W	kgf.cm	A
DM-12SSN2000310000-1000K	3.0	0.06	10.7	0.15	7.3	1.20	0.10	3.90	0.33
DM-12SSN2000310500-100K	3.0	0.04	102.7	0.14	77.9	0.16	0.13	0.66	0.43
DM-12SSN2000313000-50K	3.0	0.08	246.9	0.21	184.6	0.09	0.17	0.35	0.60
DM-12SSN2000316000-30K	3.0	0.09	503.7	0.28	376.4	0.08	0.32	0.30	0.84
DM-12SSN2000316000-150K	3.0	0.07	110.7	0.27	87.3	0.28	0.25	1.30	1.01
DM-12SSN2000320000-1000K	3.0	0.14	22.6	0.34	15.3	1.50	0.24	4.80	0.76
DM-12SSN204.515500-30K	4.5	0.10	485.9	0.25	336.3	0.09	0.33	0.30	0.59
DM-12SSN204.515500-50K	4.5	0.06	294.6	0.18	222.9	0.10	0.25	0.45	0.54
DM-12SSN204.517500-50K	4.5	0.03	351.1	0.14	299.5	0.10	0.33	0.70	0.79
DM-12SSN2000514500-100K	5.0	0.04	135.5	0.13	104.1	0.17	0.19	0.75	0.44
DM-12SSN2000515000-250K	5.0	0.04	61.5	0.15	47.3	0.50	0.24	2.00	0.53
DM-12SSN2000515000-298K	5.0	0.03	48.8	0.12	38.6	0.50	0.20	2.40	0.46
DM-12SSN2000517000-298K	5.0	0.06	56.3	0.19	43.7	0.50	0.24	2.40	0.64
DM-12SSN2000518000-150K	5.0	0.04	122.5	0.18	99.4	0.30	0.32	1.70	0.75
DM-12SSN2000520000-50K	5.0	0.03	394.7	0.16	334.2	0.13	0.44	0.80	0.88
DM-12SSN200058000-298K	5.0	0.03	23.6	0.07	16.3	0.30	0.05	1.00	0.16
DM-12SSN2000610000-298K	6.0	0.03	34.7	0.06	26.0	0.38	0.10	1.50	0.18
DM-12SSN2000612000-30K	6.0	0.06	379.7	0.14	261.5	0.06	0.16	0.20	0.32
DM-12SSN2000615000-298K	6.0	0.04	50.3	0.14	38.8	0.66	0.26	2.90	0.49
DM-12SSN2001220000-50K	12.0	0.04	390.5	0.12	301.5	0.13	0.42	0.60	0.38
DM-12SSN2001221000-150K	12.0	0.04	134.8	0.12	99.4	0.45	0.46	1.70	0.37
DM-12SSN2001221000-298K	12.0	0.02	72.6	0.08	60.1	0.60	0.38	3.50	0.36

## Curve Chart :

Model: DM-12SSN2000310000-1000K



Model: DM-12SSN2000610000-298K



## **Remark:**

**Gear Motor Torque=Driving motor torque\*Reduction ratio\*Gearbox efficiency;**

**Gear Motor Speed=Driving motor speed/Reduction ratio**

**Motor detailed config can be customized according to customer's requests, like voltage,speed,as well as shaft length and shape...**

**Welcome OEM or ODM projects**