

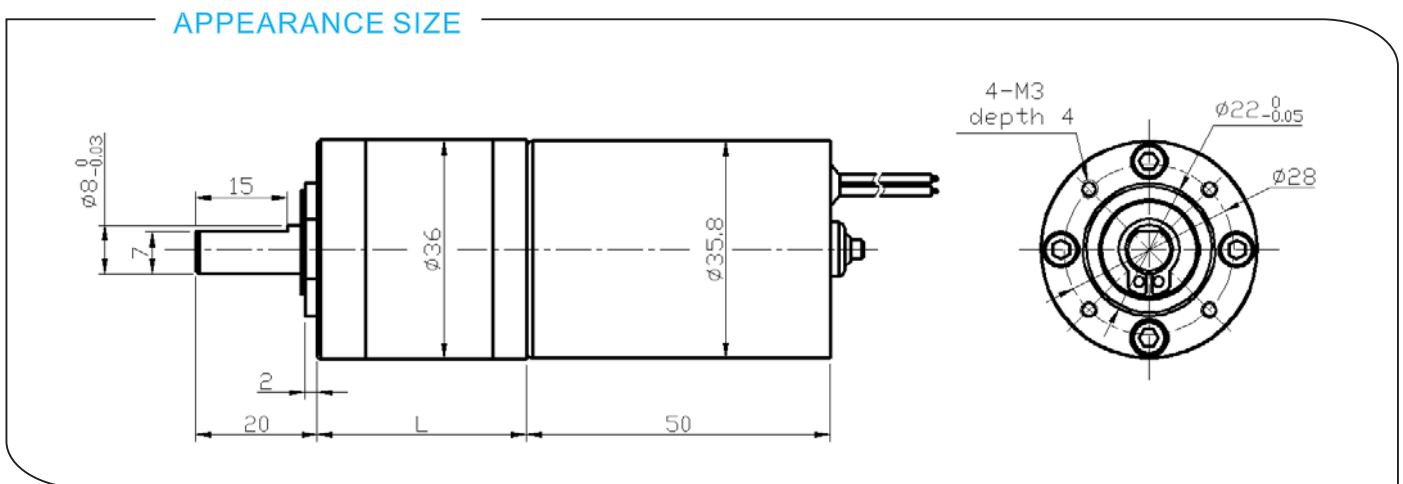
DM-36RPBL3650 DC BRUSHLESS PLANETARY GEAR MOTOR

基本电压/Main Voltage : 12VDC、24VDC

典型应用/Typical Applications :

光学仪器、监控摄像机、节能、节水设备、IC水卡、玩具和礼品、办公设备、家用电器、自动化设备。

Optical instrument, Surveillance cameras, Automated energy efficiency, Water saving equipment, IC water card, Toys and gifts, Office equipment, Household appliance, automation equipment



减速箱参数/Gearbox Data:

级数 Number of stages	1	2	3	4	5
减速比 Reduction ratio	3.7、5.2	14、19、27	51、71 100、139	189、264、369 515、721	977、1367、1910 2671、3736
减速箱长度 Gearbox length "L" mm	26.5	34.5	42.5	50.5	58.5
破坏扭矩 Breaking torque(kgf.cm)	10	18	40	50	60
减速箱效率 Gearbox efficiency	90%	81%	73%	65%	59%

电机参数/Driving Motor Data:

电机型号 Motor model	额定电压 Rated Volt.	空载/No load		负载/Load				堵转/Stall	
		电流 Current	转速 Speed	电流 Current	转速 Speed	扭矩 Torque	输出功率 Output power	扭矩 Torque	电流 Current
		V	mA	r/min	mA	r/min	g.cm	W	g.cm
DM-BL3650-012-3000	12	≤170	3000	≤775	2400	100	2.5	≥510	≥2340
DM-BL3650-012-4500	12	≤260	4500	≤1160	3300	150	5.1	≥768	≥3520
DM-BL3650-012-6000	12	≤340	6000	≤1550	4500	200	9.2	≥1020	≥4680
DM-BL3650-024-3000	24	≤140	3000	≤600	2400	100	2.5	≥510	≥1200
DM-BL3650-024-4500	24	≤210	4500	≤900	3300	150	5.1	≥768	≥1760
DM-BL3650-024-6000	24	≤280	6000	≤1200	4500	200	9.2	≥1020	≥2400

备注/Remark:

齿轮减速箱额定扭矩 = 电机额定扭矩 * 减速比 * 减速箱效率

Gear Motor Torque = Driving motor torque * Reduction ratio * Gearbox efficiency;

齿轮减速箱额定转速 = 电机额定转速 / 减速比

Gear Motor Speed = Driving motor speed / Reduction ratio

电机具体配置可根据客户的要求进行定制，像电压，速度，以及轴的长度和形状...

Motor detailed config can be customized according to customer's requests, like voltage, speed, as well as shaft length and shape...

欢迎OEM或ODM项目

Welcome OEM or ODM projects