

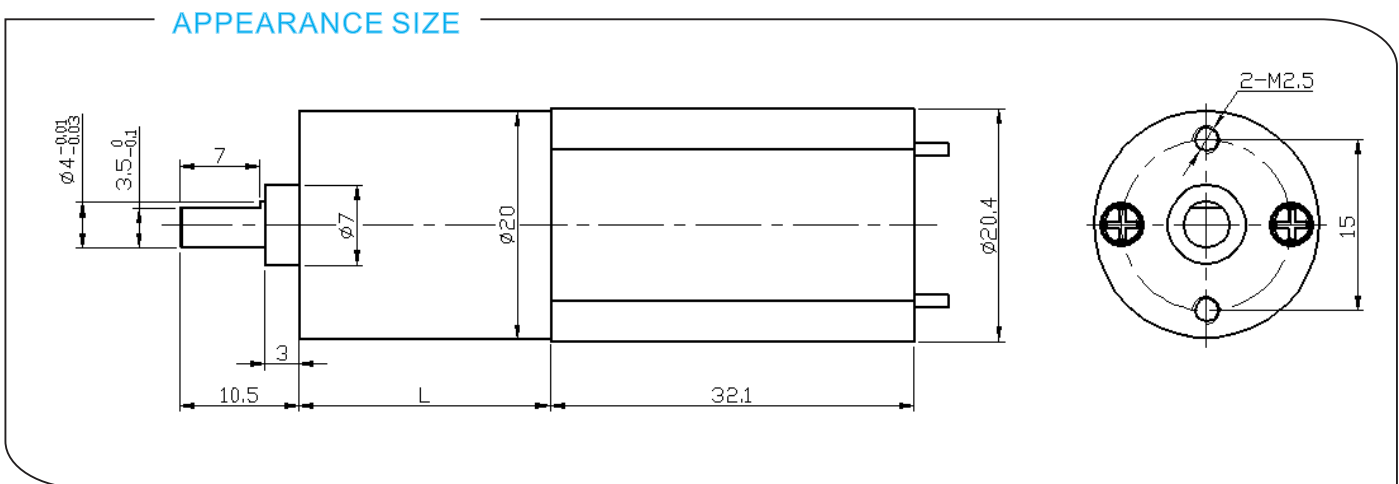
# DM-20RS180 DC SPUR GEAR MOTOR

基本电压/Main Voltage : 3VDC、6VDC、9VDC、12VDC

典型应用/Typical Applications :

仪器仪表、电动工具、自动门锁、医疗器械、  
安全监控、汽车锁

Instrument, Electric tool, Automatic door-lock,  
Medical equipment, Security monitorin, Car lock



## 减速箱参数/Gearbox Data:

级数 Number of stages	4	5	6	7	8
减速比 Reduction ratio	18、23	35、44、55	67、84 105、132	161、202 252、316	386、484 606、758
减速箱长度 Gearbox length "L" mm	16.2	17.7	19.2	20.7	22.2
破坏扭矩 Breaking torque(kgf.cm)	2	4	6	8	8
减速箱效率 Gearbox efficiency	65%	59%	53%	48%	43%

## 电机参数/Driving Motor Data:

电机型号 Motor model	额定电压 Rated Volt.	空载/No load		负载/Load				堵转/Stall	
		电流 Current	转速 Speed	电流 Current	转速 Speed	扭矩 Torque	输出功率 Output power	扭矩 Torque	电流 Current
		V	mA	r/min	mA	r/min	g.cm	W	g.cm
DM-180-006-6000	6	≤65	6000	≤260	5100	15	0.8	≥55	≥1150
DM-180-012-6000	12	≤27	6000	≤150	5100	15	0.8	≥55	≥430
DM-180-012-9000	12	≤80	9000	≤260	7000	20	1.4	≥80	≥1000
DM-180-024-9000	24	≤50	9000	≤150	7800	20	1.6	≥80	≥550

## 备注/Remark:

齿轮减速箱额定扭矩 = 电机额定扭矩 \* 减速比 \* 减速箱效率

Gear Motor Torque = Driving motor torque \* Reduction ratio \* Gearbox efficiency;

齿轮减速箱额定转速 = 电机额定转速 / 减速比

Gear Motor Speed = Driving motor speed / Reduction ratio

电机具体配置可根据客户的要求进行定制，像电压，速度，以及轴的长度和形状...

Motor detailed config can be customized according to customer's requests,

like voltage, speed, as well as shaft length and shape...

欢迎OEM或ODM项目

Welcome OEM or ODM projects