

DM-58SW555 DC WORM GEAR MOTOR

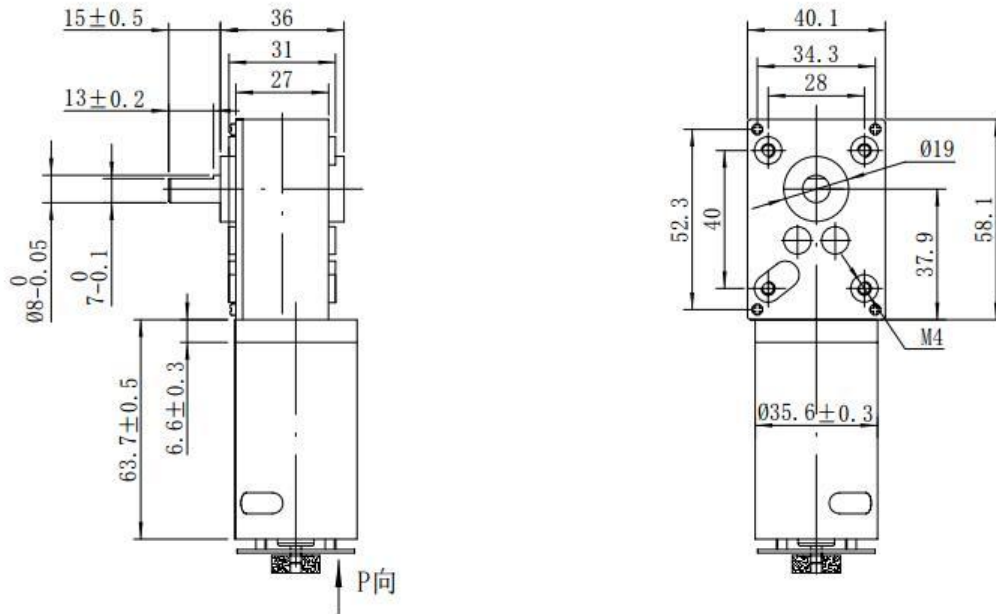


基本电压/Main voltage : 6VDC、12VDC、24VDC

典型应用/Typical applications :

游戏机、自动售卖机、推窗器、办公设备、家用电器、自动化设备

Game machine, Vending machine, Window power supply, Office equipment, Household appliance, Automation equipment.



Gearbox Data :

Number of stages	3	4
Reduction ratio	49、74、101、218、290	505、634
Gearbox length "L"mm	34	34
Breaking torque(kgf.cm)	15	35
Gearbox efficiency	40%	36%

Driving Motor Data :

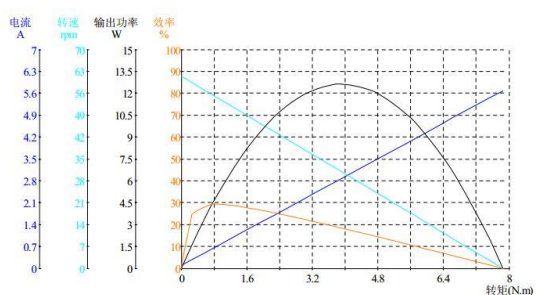
Motor model	Rated Volt.	No load		Load				Stall	
		Current	Speed	Current	Speed	Torque	Output power	Torque	Current
		mA	r/min	mA	r/min	gf.cm	W	gf.cm	mA
DM-555-012-3000	12	≤140	3000	≤800	2200	150	3.4	480	2400
DM-555-012-4500	12	≤220	4500	≤1200	3300	220	7.4	700	3840
DM-555-012-6000	12	≤350	6000	≤2000	4500	300	13.8	960	4800
DM-555-024-3000	24	≤70	3000	≤400	2200	150	3.4	480	1280
DM-555-024-4500	24	≤110	4500	≤600	3300	220	7.4	700	2400
DM-555-024-6000	24	≤180	6000	≤1000	4500	300	13.8	960	3200

Geared Motor Data :

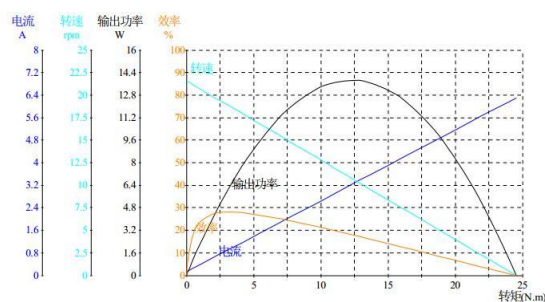
电机型号 Motor model	额定电压	空载/No load		负载/Load				堵转/Stall	
	Rated Volt.	电流 Current	转速 Speed	电流 Current	转速 Speed	扭矩 Torque	输出功率 Output power	扭矩 Torque	电流 Current
	V	A	r/min	A	r/min	kgf.cm	W	kgf.cm	A
DM-58SW5550246500-105K	24.0	0.351	60.0	1.33	53.0	3.7	11.0	78.0	8.52
DM-58SW5550246500-290K	24.0	0.22	22.0	1.43	19.0	5.7	31.0	240.0	3.66

Curve Chart :

Model: DM-58SW5550246500-105K



Model: DM-58SW5550246500-290K



Remark:

**Gear Motor Torque=Driving motor torque*Reduction ratio*Gearbox efficiency;
Gear Motor Speed=Driving motor speed/Reduction ratio**

**Motor detailed config can be customized according to customer's requests,
like voltage,speed,as well as shaft length and shape...**

Welcome OEM or ODM projects