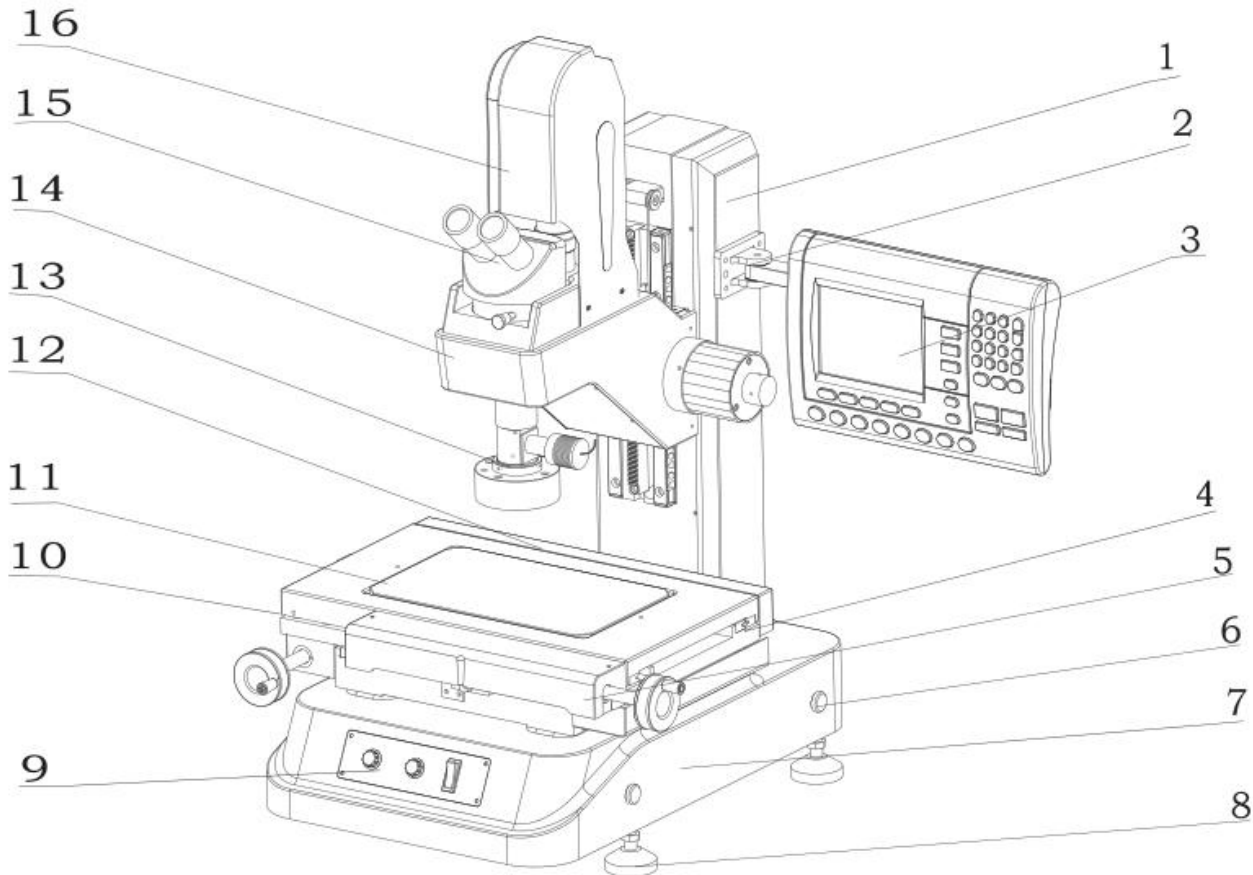


METALLOGRAPHIC MICROSCOPE



1. Column

2. Z axis transmission group

3. Digital display box

4. Y-axis optical grating-ruler

5. X axis transmission group

6. Plug

7. Base

8. Feet

1.立柱

2.Z 轴传动组

3.数显箱

4.Y 轴光学尺

5.X 轴传动组

6.堵头

7.底座

8.底脚

9. Operation panel

10. Y axis transmission group

11. Workbench

12. X axis optical grating-ruler

13. LED surface light

14. Lifting carriage

15. Lens

16. Colorful CCD

9.操作面板

10.Y 轴传动组

11.工作台

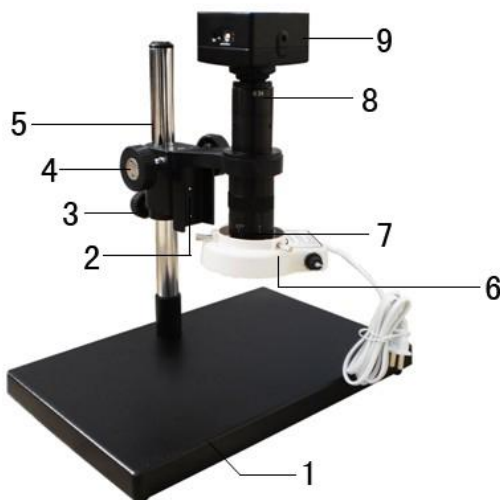
12.X 轴光学尺

13.LED 表面光

14.升降滑座

15.镜头

16.彩色 CCD



Single-tube MICROSCOPE

- (1) Microscope bottom plate (2) Focusing mechanism
(3) Fastening hand wheel (4) Focusing hand wheel
(5) Column (6) LED ring light illumination source (optional)
(7) Main objective lens (8) photography Eyepiece
(9) CCD camera (optional)

- (1) 显微镜底板 (2) 调焦机构 (3) 固紧手轮 (4) 调焦手轮
(5) 立柱 (6) LED 环形灯照明光源 (选购) (7) 主物镜
(8) 摄影目镜 (9) CCD 摄像机 (选购)