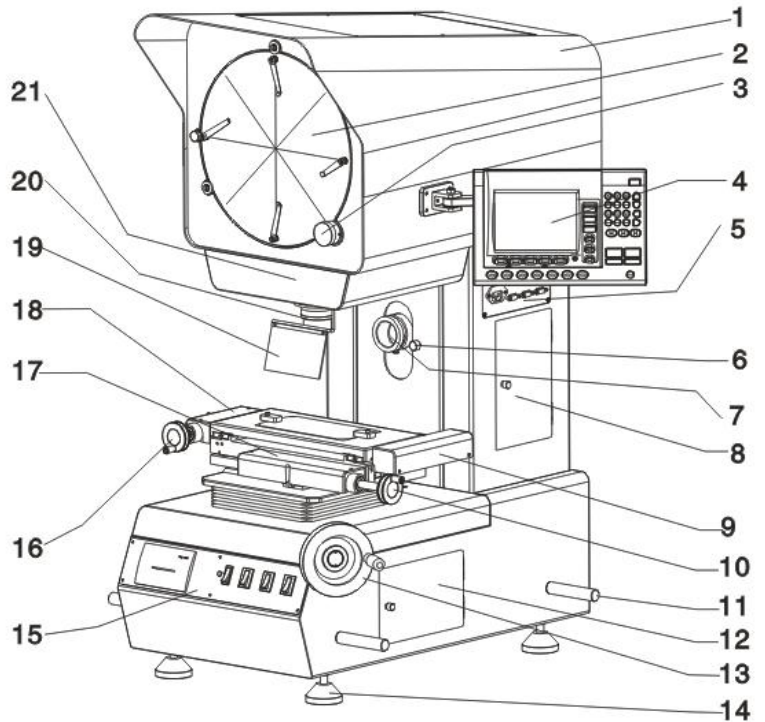


OPTICAL PROFILE PROJECTOR

1.Vertical measuring structures:

1. Projector box
2. Projection screen
3. Projection screen roating fine-turning band wheel.
4. Digital display box.
5. Signal lineadapter board.
6. Reflective lighting adjustment handle.
7. Reflective lighting condesor.
8. Wicket.
9. Y-axis grating ruler
10. X-axis hand wheel
11. Carrying bolts
12. Wicket
13. Lifting hand wheel
14. Foot
15. Operation panel
16. Y-axis hand wheel
17. X-drive group
18. Y-drive group
19. Shading plate
20. Objective lens
21. Instrument signs



2.Horizontal measuring structures:

1. Projection screen
2. Projector screen pressure block
3. Digital display box.
4. Projection screen roating fine-turning band wheel.
5. Front Flange
6. Transillumination combination
7. X-axis hand wheel
8. Lifting hand wheel
9. Foot
10. Carrying handle
11. Y-axis hand wheel
12. Base
13. Vertical workbench
14. Hinge group
15. Roating shaft support
16. Workbench
17. Waist
18. Reflected lighting fiber.
19. Obejective lens.
20. Projection screen pressure block

