

DPS-1064-D/0.5~2mJ

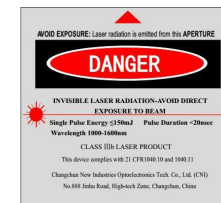
SPECIFICATIONS

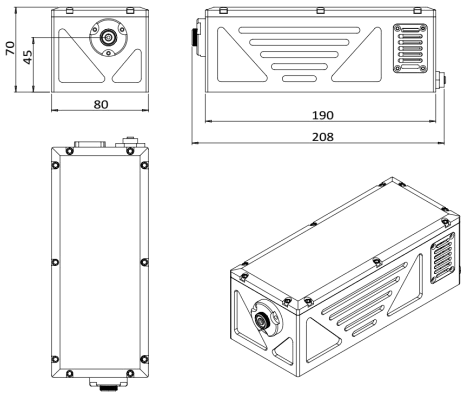
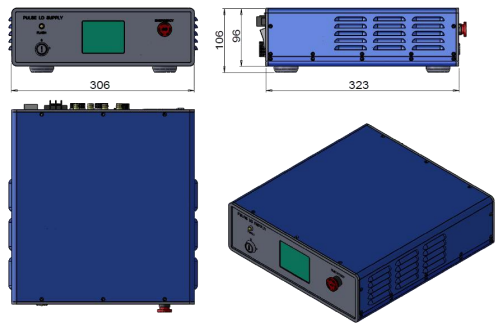
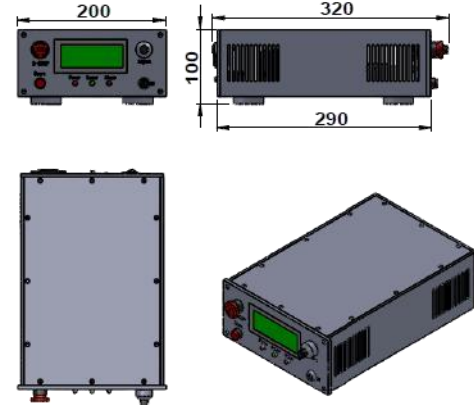
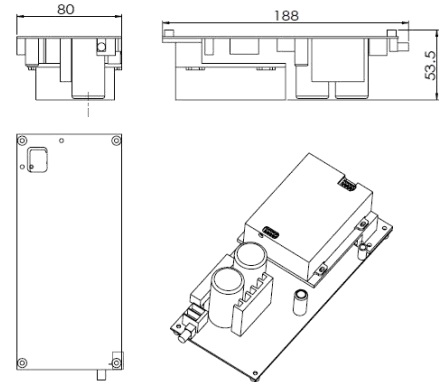
**HIGH ENERGY DIODE  
PUMPED ALL-SOLID-STATE  
Q-SWITCHED LASER**

High energy diode pumped all solid state Q-switched laser at 1064nm has the features of high single pulse energy, short pulse duration, and high peak power, which is widely used in LIBS, LIF, ICP-MS, LCD repair, scientific research, and so on.



Wavelength (nm)	1064±1		
Operating mode	Q-switched: EOM (Electro-optic modulation)		
Single pulse energy (mJ)	0.5	1	2
Pulse duration (ns)	<10		
Rep. rate (Hz)	1~100 , EXT (adjustable)		
Energy stability (rms)	<3% , <5%		
Beam divergence, full angle (mrad)	<2		
Beam diameter (mm)	~2.5		
Warm-up time (minutes)	<15		
Beam height from base plate (mm)	45		
Cooled method	Air cooled		
Operating temperature (°C)	15~30		
Power supply (220V AC/24V DC)	PSU-DPS-D		
Expected lifetime (pulses)	10 <sup>9</sup>		
Warranty period	1 year		
Available options	Jitter (Sdev):~1ns ( Electro-optic modulation); Battery power supply		



DPS-1064-D	PSU-DPS-D-II (220V AC)	PSU-DPS-D-I (220V AC)	PSU-DPS-D (OEM, 24V)
 <p>208(L)×80(W)×70(H) mm<sup>3</sup>, 2.5kg</p>	 <p>323 (L) ×306(W) ×106(H) mm<sup>3</sup>, 6 kg Rep. Rate and Current can be adjusted by touch screen</p>	 <p>320(L)×200(W)×100(H) mm<sup>3</sup>, 4kg</p>	 <p>188(L)×80(W)×53.5(H) mm<sup>3</sup>, 1kg</p>

DPS-1064-A/1~10mJ

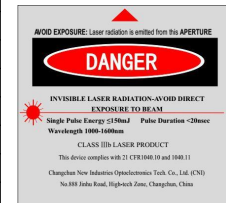
SPECIFICATIONS

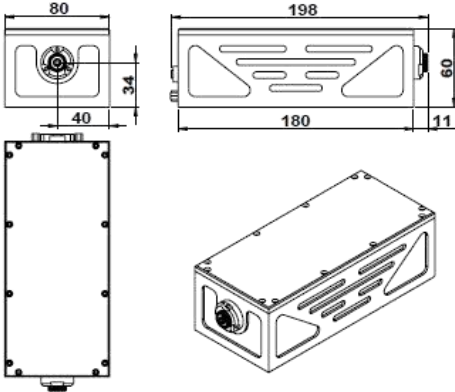
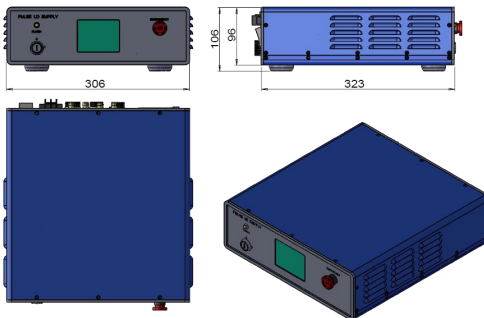
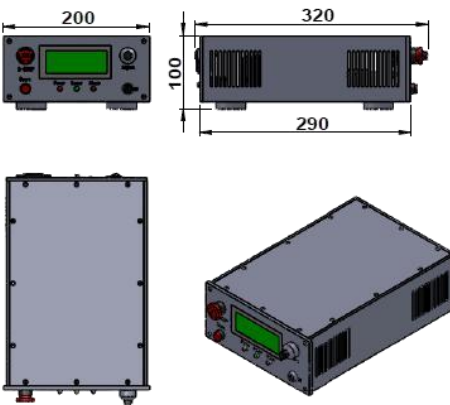
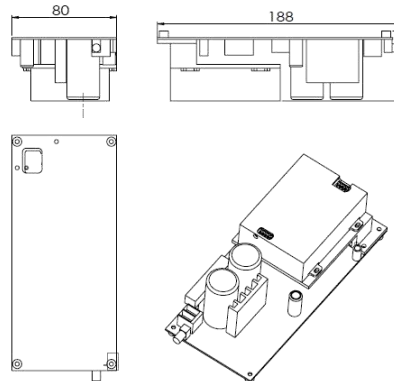
**HIGH ENERGY DIODE  
PUMPED ALL-SOLID-STATE  
Q-SWITCHED LASER**

High energy diode pumped all solid state Q-switched laser at 1064nm has the features of high single pulse energy, short pulse duration, and high peak power, which is widely used in LIBS, LIF, ICP-MS, LCD repair, scientific research, and so on.



Wavelength (nm)	1064±1	
Operating mode	Q-switched: EOM (Electro-optic Modulation)	Q-switched: PM (Passive Modulation)
Single pulse energy (mJ)	1~10	
Pulse duration (ns)	<10	
Rep. rate (Hz)	1~10, EXT (adjustable)	
Energy stability (rms)	<2%, <3%, <5%	<5%
Beam divergence, full angle	<3	
Beam diameter (mm)	~3	
Warm-up time (minutes)	<15	
Beam height from base plate (mm)	34	
Cooled method	Air cooled	
Operating temperature (°C)	15~30	
Power supply (220V AC/24V DC)	PSU-DPS-A	
Expected lifetime (pulses)	10 <sup>9</sup>	
Warranty period	1 year	
Available options	Jitter(Sdev): ~1ns ( Electro-optic modulation); Battery power supply	



DPS-1064-A	PSU-DPS-A-II (220V)	PSU-DPS-A-I (220V)	PSU-DPS-A (OEM, 24V)
 <p>198(L)×80(W)×60(H) mm<sup>3</sup>, 1.5kg</p>	 <p>323 (L) × 306(W) × 106(H) mm<sup>3</sup>, 6 kg Rep. Rate and Current can be adjusted by touch screen</p>	 <p>320(L)×200(W)×100(H) mm<sup>3</sup>, 4kg</p>	 <p>188(L)×80(W)×53.5(H) mm<sup>3</sup>, 1kg</p>

DPS-1064-B/1~30mJ

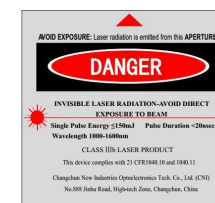
**HIGH ENERGY DIODE  
PUMPED ALL-SOLID-STATE  
Q-SWITCHED LASER**

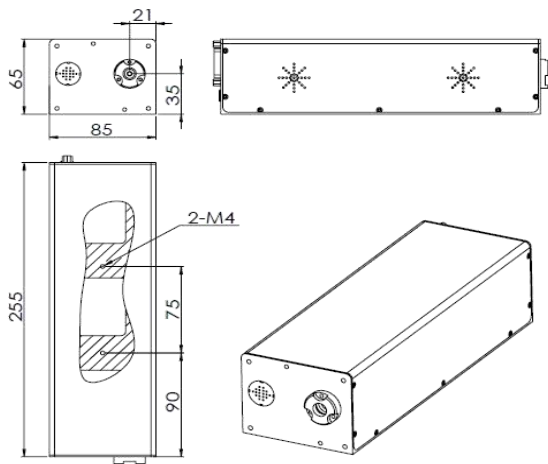
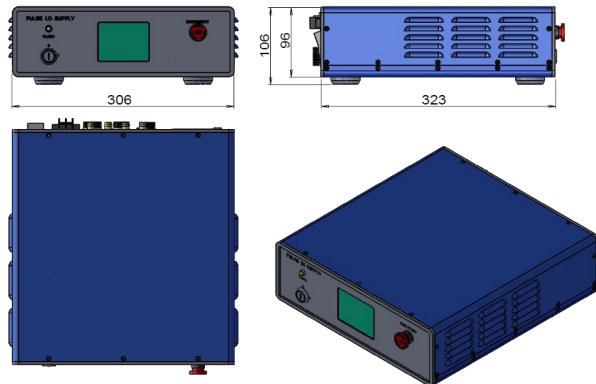
High energy diode pumped all solid state Q-switched laser at 1064nm has the features of high single pulse energy, short pulse duration, and high peak power, which is widely used in LIBS, LIF, ICP-MS, LCD repair, scientific research, military, and so on.



SPECIFICATIONS

Wavelength (nm)	1064±1
Operating mode	Q-switched: EOM (Electro-optic modulation)
Single pulse energy (mJ)	1~30
Pulse duration (ns)	<10
Rep. rate (Hz)	1~10, EXT (adjustable)
Energy stability (rms)	<2%, <3%, <5%
Beam divergence, full angle (mrad)	~1
Beam diameter (mm)	≤3
Warm-up time (minutes)	<15
Beam height from base plate (mm)	35
Cooled method	Air cooled
Operating temperature (°C)	15~30
Power supply (220VAC)	PSU-DPS-B
Expected lifetime (pulses)	10 <sup>9</sup>
Warranty period	1 year



DPS-1064-B	PSU-DPS-B
 <p>255(L)×85(W)×65(H)mm<sup>3</sup>, 3 kg</p>	 <p>323 (L) × 306(W) × 106(H) mm<sup>3</sup>, 6 kg Rep. Rate and Current can be adjusted by touch screen</p>

DPS-1064-BS/30~80mJ

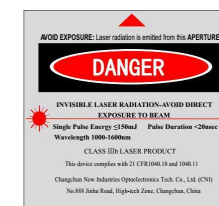
**HIGH ENERGY DIODE  
PUMPED ALL-SOLID-STATE  
Q-SWITCHED LASER**

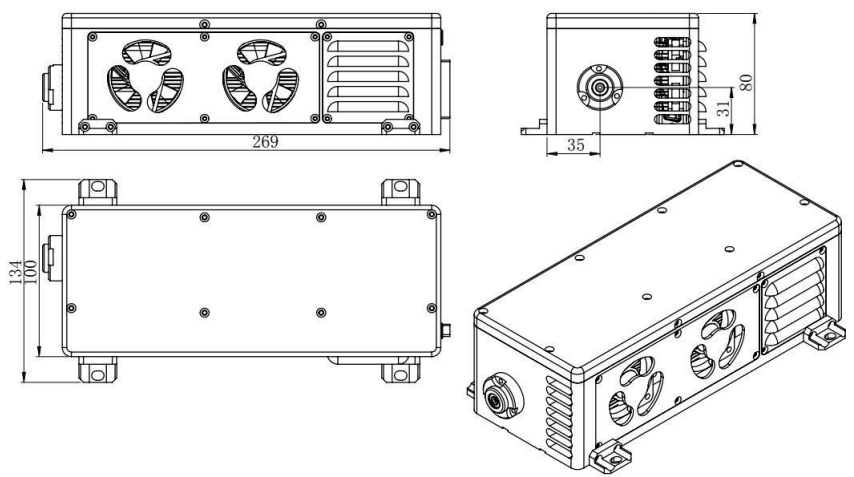
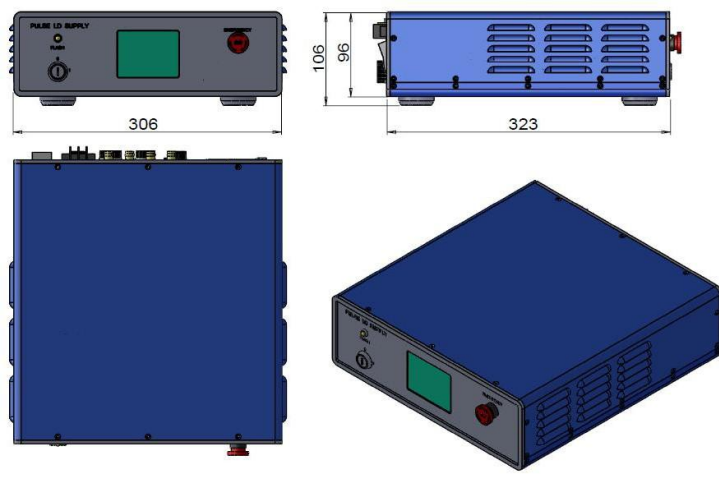
High energy diode pumped all solid state Q-switched laser at 1064nm has the features of high single pulse energy, short pulse duration, and high peak power, which is widely used in LIBS, LIF, ICP-MS, LCD repair, scientific research, and soon.



SPECIFICATIONS

Wavelength (nm)	1064±1	
Operating mode	Q-switched: EOM (Electro-optic modulation)	
Single pulse energy (mJ)	40	80
Pulse duration (ns)	~10	
Rep. rate (Hz)	1~10, EXT (adjustable)	
Energy stability (std dev/mean)	<2%, <3%, <5%	
Beam divergence, full angle (mrad)	≤3	
Beam diameter (mm)	~5	
Warm-up time (minutes)	<15	
Beam height from base plate (mm)	31	
Cooled method	Air cooled	
Operating temperature (°C)	15~30	
Power supply	PSU-DPS-BS	
Expected lifetime (pulses)	10 <sup>9</sup>	
Warranty period	1 year	
Available options	Higher single pulse energy: up to 100mJ, Variable optical attenuator: 5%~95%	



DPS-1064-BS	PSU-DPS-BS
 <p>269 (L)×134 (W)×80 (H) mm<sup>3</sup>, 5 kg</p>	 <p>323 (L)×306 (W)×106 (H) mm<sup>3</sup>, 6kg</p>



DPS-1064-BS-D/30~100mJ

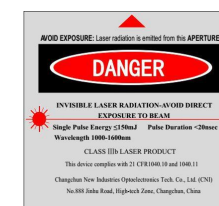
**HIGH ENERGY DIODE  
PUMPED ALL-SOLID-STATE  
Q-SWITCHED LASER**

High energy diode pumped all solid state Q-switched laser at 1064nm has the features of high single pulse energy, short pulse duration, and high peak power, which is widely used in LIBS, LIF, ICP-MS, LCD repair, scientific research, and soon.



SPECIFICATIONS

Wavelength (nm)	1064±1			
Operating mode	Q-switched: EO (Electro-optic)			
Single pulse energy (mJ)	30	50	80	100
Pulse duration (ns)	<10			
Rep. rate (Hz)	1~20, EXT (adjustable)			
Energy stability (std dev/mean)	<1%, <3%, <5%			
Beam divergence, full angle (mrad)	≤3			
Beam diameter (mm)	~5			
Warm-up time (minutes)	<15			
Beam height from base plate (mm)	53			
Cooled method	Air cooled			
Operating temperature (°C)	15~30			
Power supply	PSU-DPS-BS-D			
Expected lifetime (pulses)	10 <sup>9</sup>			
Warranty period	1 year			



DPS-1064-BS-D	PSU-DPS-BS-D
<p>264(L)×69(W)×91(H)mm<sup>3</sup>, 5 kg</p>	<p>323(L)×306(W)×106(H) mm<sup>3</sup>, 6kg</p>

DPS-1064-Mini/1~20mJ

**HIGH ENERGY DIODE  
PUMPED ALL-SOLID-STATE  
Q-SWITCHED LASER**

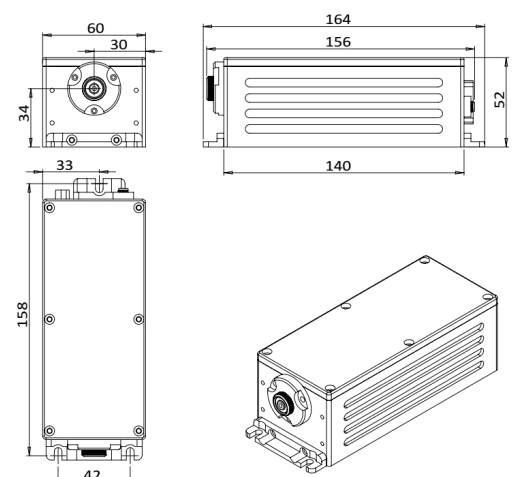
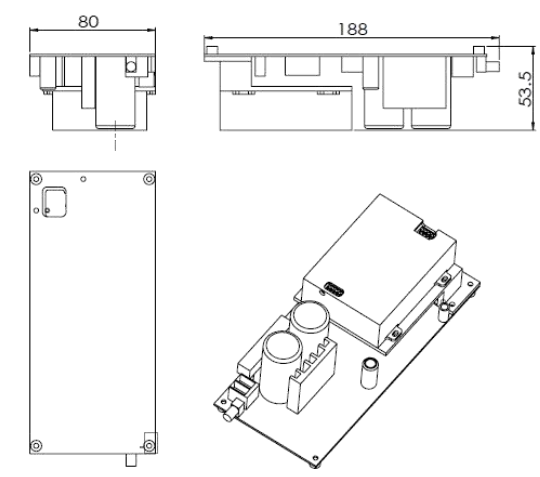
High energy diode pumped all solid state Q-switched laser at 1064nm has the features of high single pulse energy, short pulse duration, and high peak power, which is widely used in LIBS, LIF, ICP-MS, LCD repair, scientific research, and so on.



SPECIFICATIONS

Wavelength (nm)	1064±1
Operating mode	Q-switched: EOM (Electro-optic modulation)
Single pulse energy (mJ)	1~20
Pulse duration (ns)	<10
Rep. rate (Hz)	INT: 1, EXT: 0~2
Energy stability(rms)	<3%, <5%
Beam divergence, full angle (mrad)	<3
Beam diameter (mm)	~3
Warm-up time (minutes)	<15
Beam height from base plate (mm)	34
Cooled method	Air cooled
Operating temperature (°C)	15~30
Power supply (220VAC/24VDC)	PSU-DPS-Mini
Expected lifetime (pulses)	10 <sup>9</sup>
Warranty period	1 year
Available options	Jitter(Sdev):-1ns; Battery power supply



DPS-1064-Mini	PSU-DPS-Mini(OEM,24V)
 <p>164(L)×60(W)×52(H) mm<sup>3</sup>, 1.3kg</p>	 <p>188(L)×80(W)×53.5(H) mm<sup>3</sup>, 1kg</p>

LPS-1064-A/50~200mJ

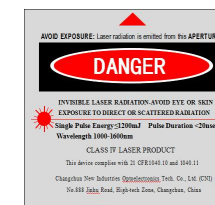
## HIGH ENERGY LAMP PUMPED SOLID STATE Q-SWITCHED LASER

High energy lamp pumped solid state Q-switched laser at 1064nm has the features of high single pulse energy, short pulse duration, high peak power, and without water cooling machine, which is widely used in LIF, LIBS, ICP-MS, Raman, scientific research, and so on.

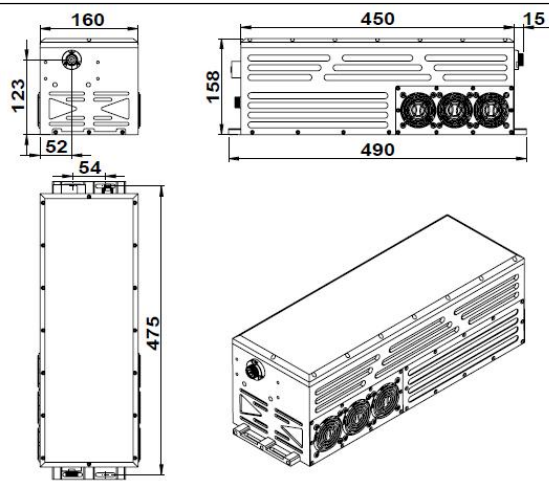


### SPECIFICATIONS

Wavelength (nm)	1064±1			
Operating mode	Q-switched: EOM (Electro-optic modulation)			
Single pulse energy (mJ)	50	100	150	200
Pulse duration (ns)	<10	<10	<10	<10
Rep. rate (Hz)	1~10 (adjustable)			
Energy stability	<2%, <3%, <5%			
Beam divergence, full angle (mrad)	~2	~1	~1	~1
Beam diameter (mm)	<6	<6	7	7
Warm-up time (minutes)	<15			
Beam height from base plate (mm)	123			
Cooled method	Water to Air Cooled			
Operating temperature (°C)	20~25			
Power supply (220/110VAC)	PSU-LPS-A(3U)			
Expected lifetime of lamp (pulses)	10 <sup>7</sup> ~10 <sup>8</sup>			
Warranty period	1 year			
Available Options	SHG Module; Jitter :~1ns (Sdev) ; Accessories			

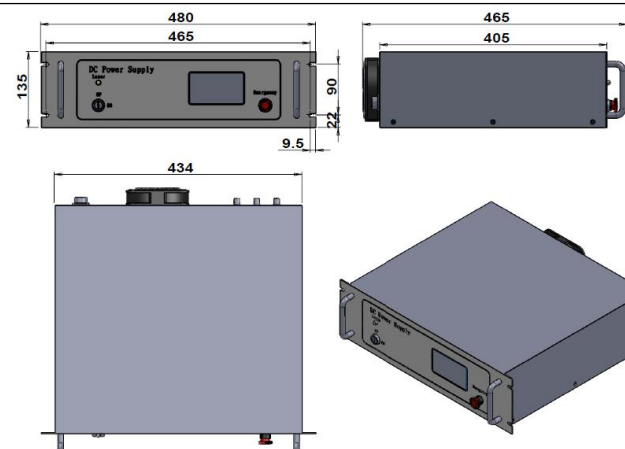


LPS-1064-A



490 (L) × 160 (W) × 153 (H) mm<sup>3</sup>, 15 kg

PSU-LPS-A (3U)



480 (L) × 465 (W) × 135 (H) mm<sup>3</sup>, 1.5 kg  
Rep. Rate and Voltage can be adjusted by touch screen

## LPS-1064-S/50~300mJ

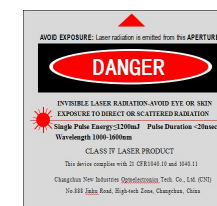
### HIGH ENERGY LAMP PUMPED SOLID STATE Q-SWITCHED LASER

High energy lamp pumped solid state Q-switched laser at 1064nm has the features of high single pulse energy, short pulse duration, and high peak power, which is widely used in in PIV, LIF, LIBS, ICP-MS, Raman, scientific research, and so on.



#### SPECIFICATIONS

Wavelength (nm)	1064±1			
Operating mode	Q-switched: EOM (Electro-optic modulation)			
Single pulse energy (mJ)	50	100	200	300
Pulse duration (ns)	<10	<10	<8	<8
Rep. rate (Hz)	1~10 (adjustable)			
Energy stability	<1%, <2%, <3%, <5%			
Beam divergence, full angle (mrad)	~1	~1	~1	~3
Beam diameter (mm)	<6	<6	6	7
Warm-up time (minutes)	<15			
Beam height from base plate (mm)	75			
Cooled method	Water Cooled			
Operating temperature (°C)	15~35			
Power supply (220/110VAC)	PSU-LPS-S(3U)			
Expected lifetime (pulses)	10 <sup>7</sup> ~10 <sup>8</sup>			
Warranty period	1 year			
Available Options	SHG Module; Higher repetition rates:≤20Hz; Jitter :~1ns (Sdev) ; Accessories			



LPS-1064-S	PSU-LPS-S (3U)	Water Chiller
<p style="text-align: center;">450(L) × 150(W) × 130(H) mm<sup>3</sup>, 14kg</p>	<p style="text-align: center;">480 (L) × 465(W) × 135(H) mm<sup>3</sup>, 15kg Rep. Rate and Voltage can be adjusted by touch screen</p>	<p style="text-align: center;">580(L) × 290(W) × 470(H) mm<sup>3</sup>, 24 kg</p>