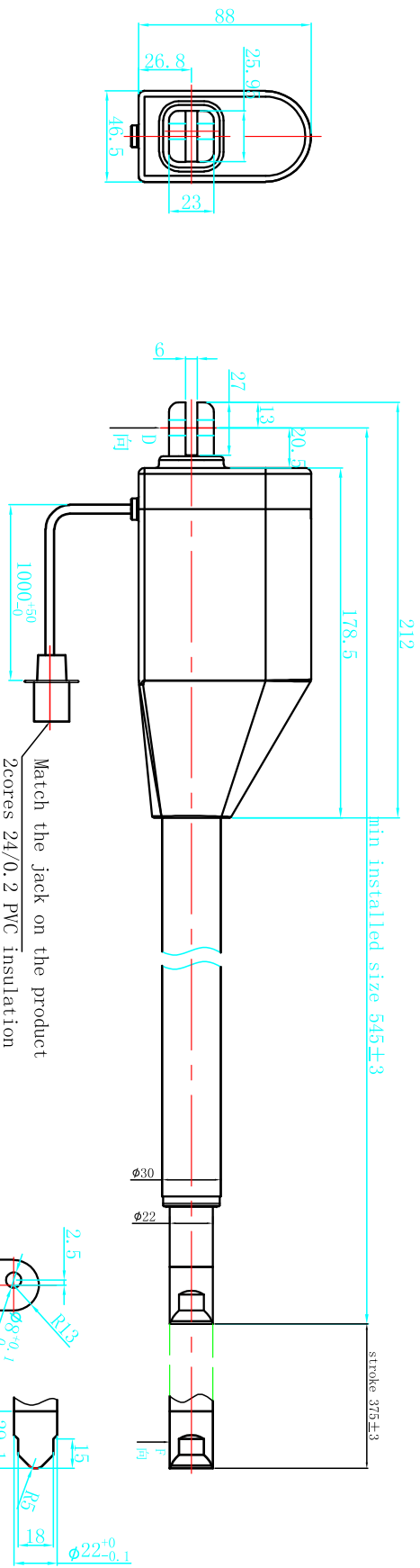


Guangdong G-motor Health Technology Co., Ltd.

Product specification

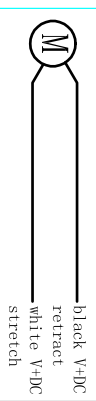
客户名称 (Customer): 产品名称 (Name): linear actuator 产品型号 (Type): GD23M 日期 (Date): 1st Jun 2018
 产品用途及特点 Applications and features: electric lifting beds, electric lifting chair, patient lifting system

外型 and 安装尺寸 Dimensions



view from D view from F

Product circuit diagram



技术参数 Technical Data

规格型号 (Model)	: GD23M-12E-545/920-01	最小安装尺寸A (Min. Mounting dimension)	: 545 mm
额定电压 (Voltage)	: 12 VAC	最大安装尺寸A (Min. Mounting dimension)	: 920 mm
空载电流 (No Load Current)	: ≤ 1.3 A	电源线外露长度	: 1000 mm
负载电流 (Load Current)	: ≤ 7.5 A	最大负载 (Max. Load)	: 2000N
伸缩速度 (Linear Speed)	: ± 3 mm	工作循环 (Duty Cycle)	: 10%

核准 Approve: MIKE GIAO

审查 Review:

制表 Design: