

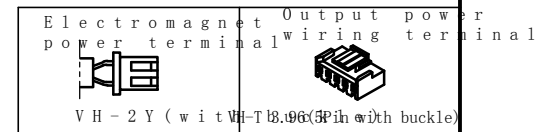
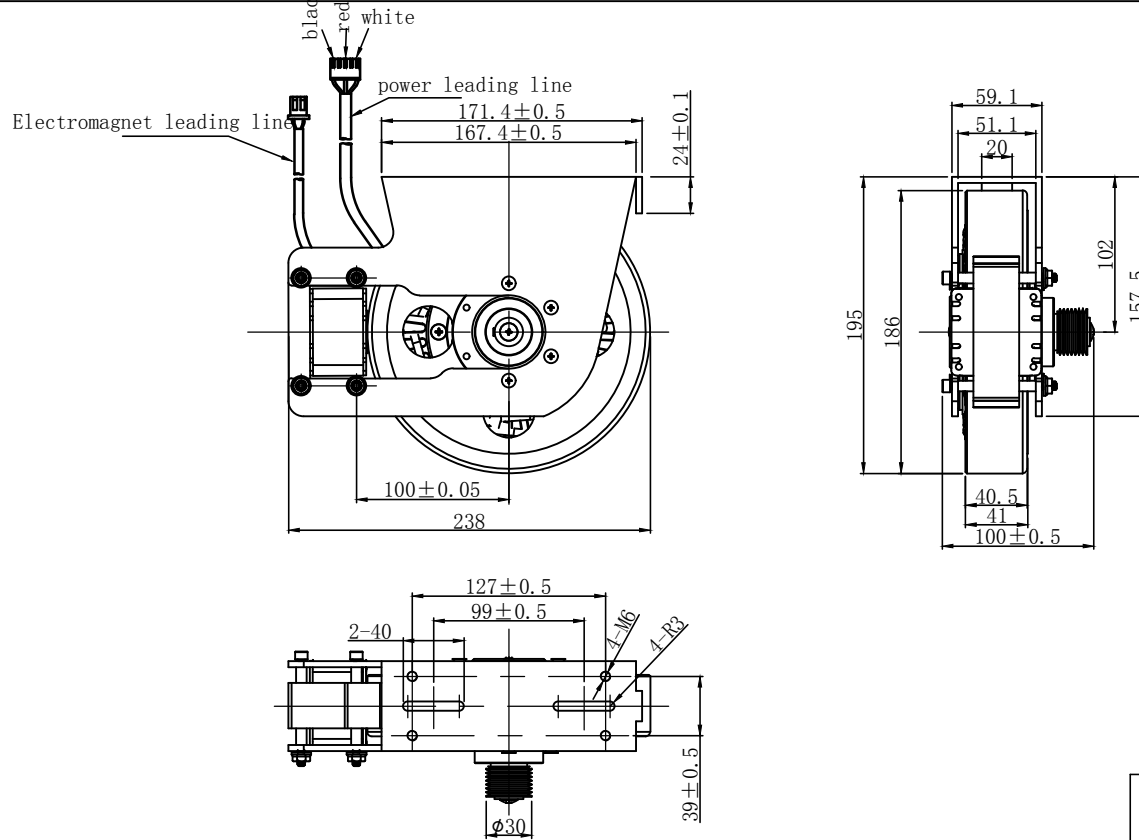
Guangdong G-motor health Technology Co., Ltd

Specifications

Customer: Product Name: Bidirectional self generating set Model: GS141-180 Date: 21th, Mar. 2018

Applications and features: Curved treadmill generator

Dimensions



Technical Data

Model	: GS141-180-100-E	Flywheel Dimensions	: flywheel diameter D186*thickness 4mm
Voltage	: when 195r/min, Inter-phase AC output 15±1V	Dimensions	: total length 238*total width 100*total height 195mm
Exposed length of electromagnet power cord:	620 ⁺²⁰ ₀ mm	Exposed length of output power cord:	620 ⁺²⁰ ₀ mm
Power	: 160W		

Approve:

审查 Review:

Design: