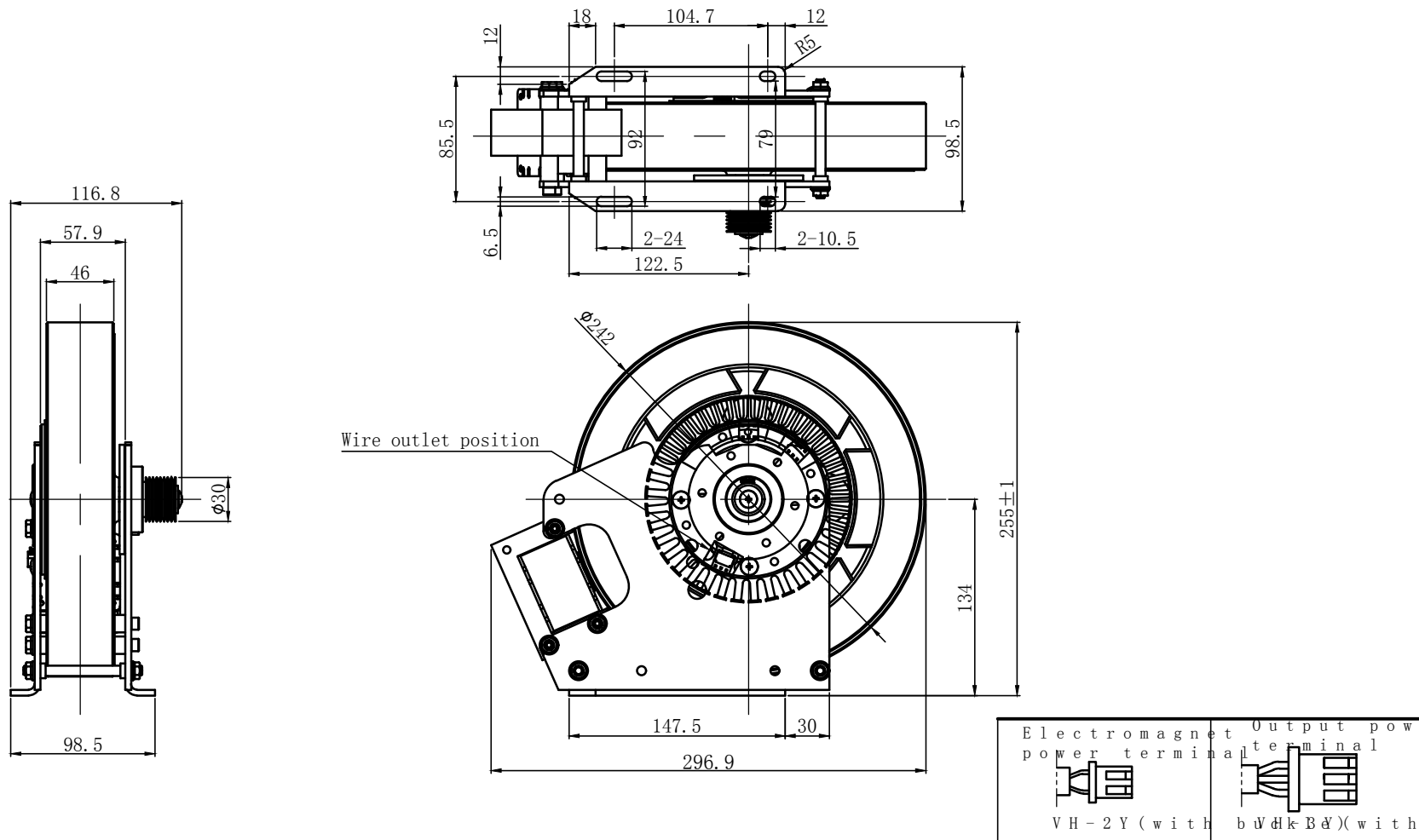


Guangdong G-motor health Technology Co., Ltd

Specifications

| | | | |
|----------------------------|--|-------------------|----------------------|
| Customer: | Products Name: Bidirectional self generating set | Model: GS141-242 | Date: 27th Apr. 2018 |
| Applications and features: | | Fitness equipment | |

Dimensions



Technical Data

| | | | |
|---|---------------------------------------|-------------------------------------|--|
| Model | : GS141-242-E | Flywheel Dimensions | flywheel diameter D242* Thickness 46mm |
| Inter-phase alternating voltage | when 152r/min, voltage output 24±3VAC | Dimension | Total: length 297*total width 117*total height 255mm |
| Exposed length of electromagnet power cord: | 620 ⁺²⁰ ₀ mm | Exposed length of output power cord | : 620 ⁺²⁰ ₀ mm |
| Power | : 350W | Insulation and anti-pressure | : 1000VAC /1.5mA/3S |
| Approve: | Review : | Design: | |