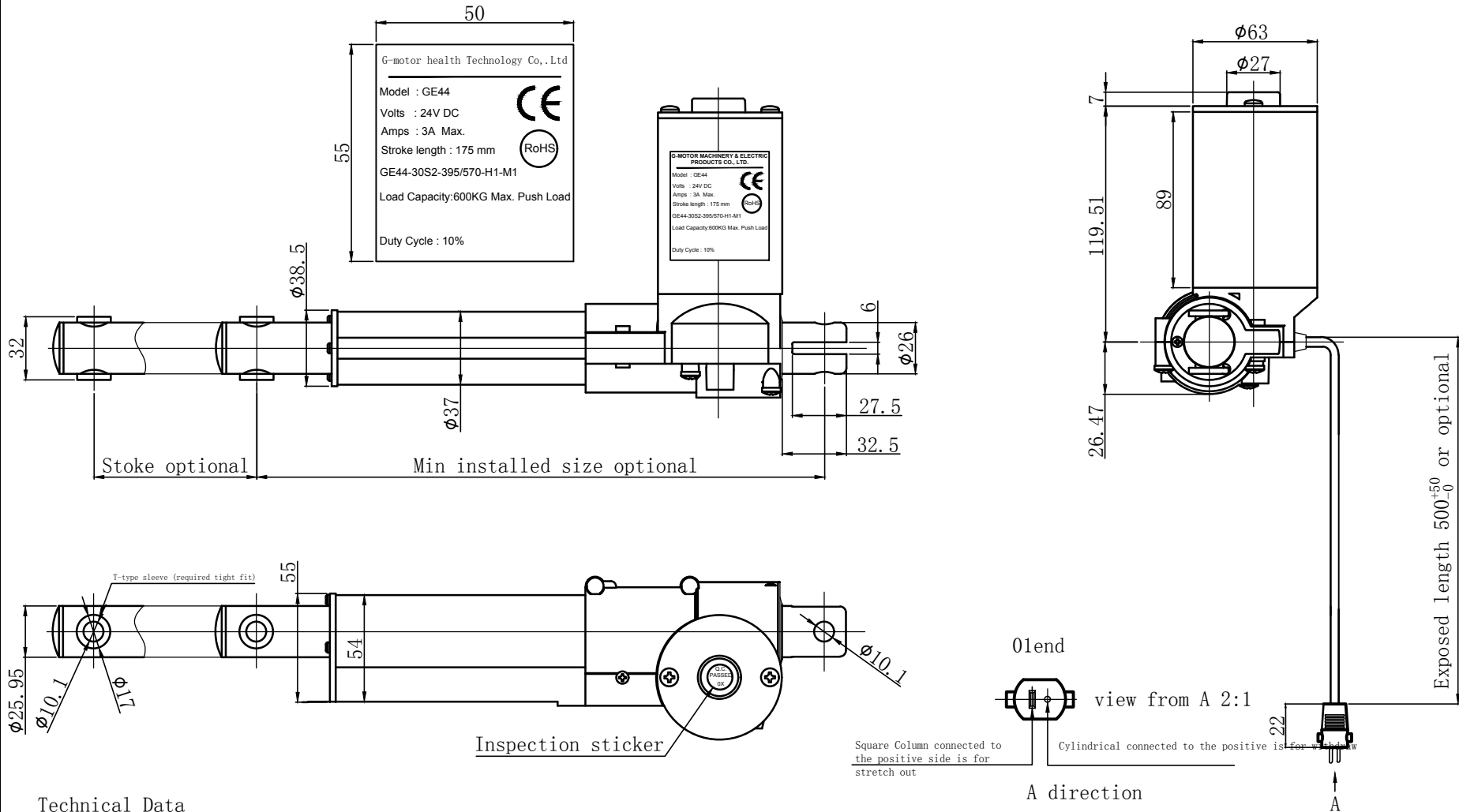


Guangdong G-motor health Technology Co., Ltd Specifications

Customer: _____ Product Name: Linear Actuator Model: GE44 Date: 4th Nov. 2017
 Applications and features: Electric lifting beds , Electric lifting chairs, massage chairs, electric wheel chairs

Dimensions



Technical Data

Model	: GE44-30S2-395/570-H1-M1	Min. Mounting dimension A	: 395±3mm or optional
Voltage	: 24 VDC	Max. Mounting dimension A	: 570±3mm or optional
No Load Current	: ≤0.8 A	Exposed length of power cord	: 500 ⁺²⁰ ₀ mm
Load Current	: ≤3 A	Max. Load	: 600KG
Telescoping Speed	: 4.2 mm/s	Duty Cycle	: 10%

Approval: _____

Review : _____

Design: _____