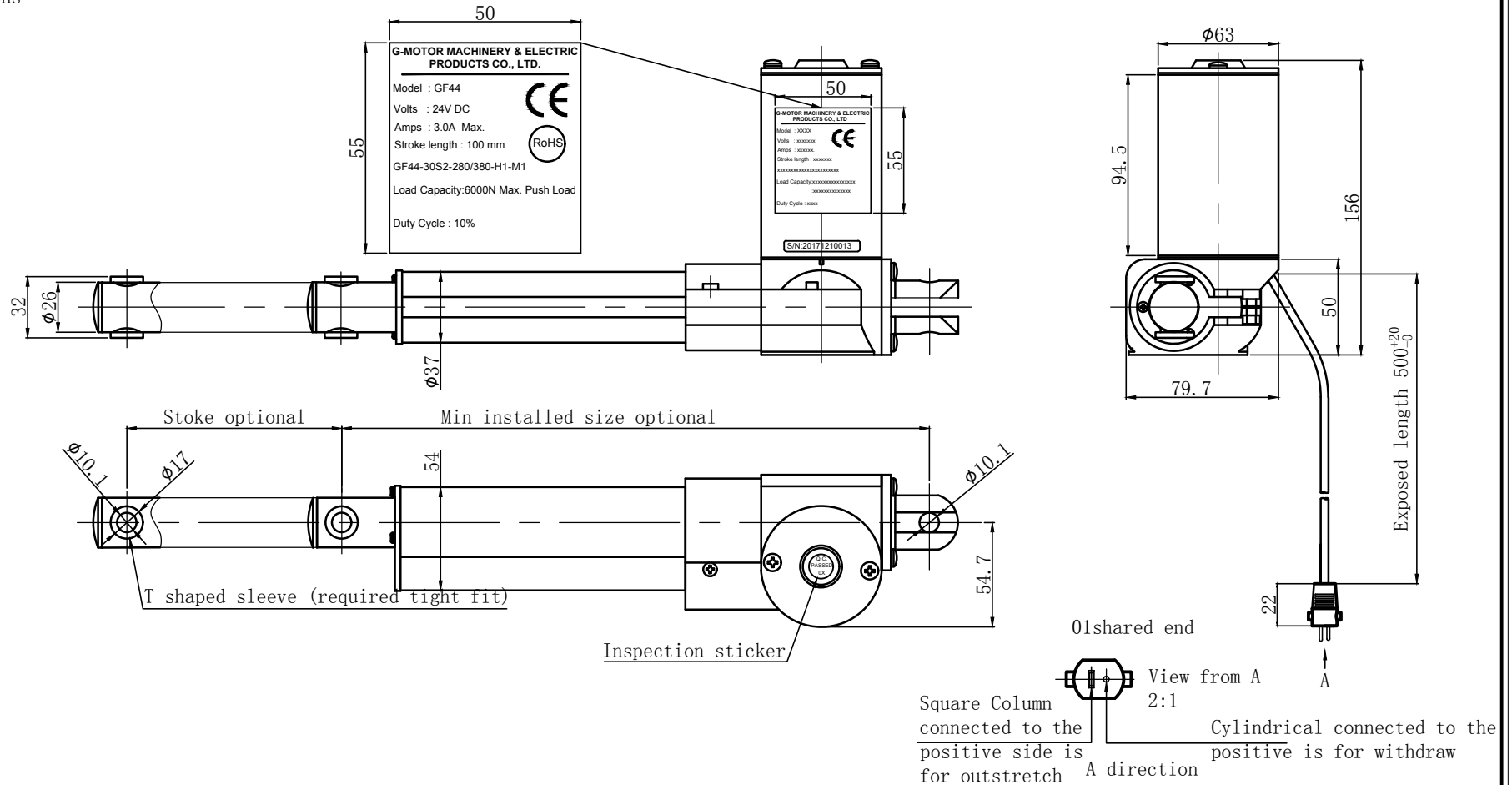


Guangdong G-motor health Technology Co., Ltd

Specifications

Customer: _____ Product Name: linear actuator Model: GF44 Date: 21th, Mar. 2018
 Applications and features: Electric lifting beds , Electric lifting chairs, massage chair, electric wheel chairs

Dimensions



Technical Data

Model	: GF44-30S2-280/380-H1-M1	Min. Mounting dimension A	: optional
Voltage	: 24 VDC	Max. Mounting dimension A	: optional
No Load Current	: ≤0.8 A	Exposed length of power line	: 500 ⁺²⁰ ₀ mm
Load Current	: ≤3.0 A	Rated Load	: 6000N
Linear Speed	: 4.2±1 mm/s	Duty Cycle	: 10%
Approve:	Review :	Design:	