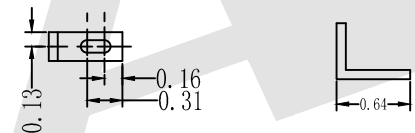
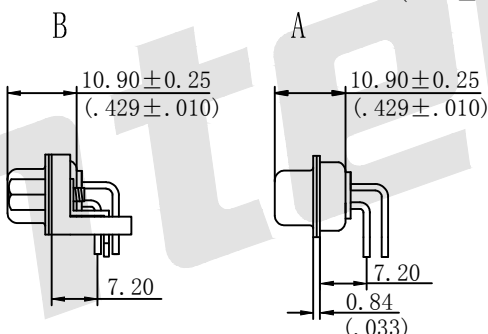
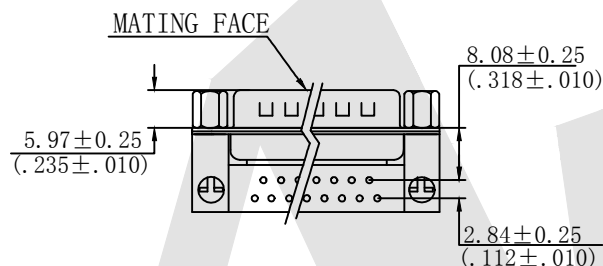
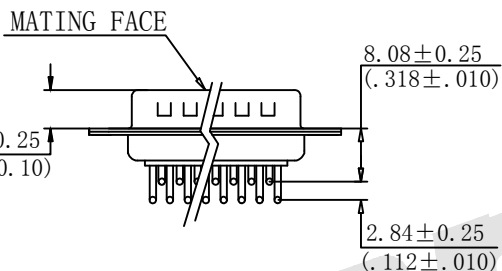
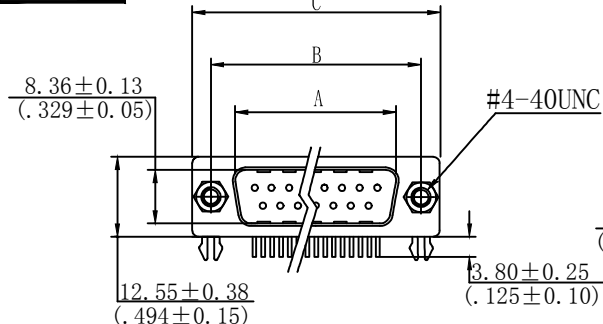
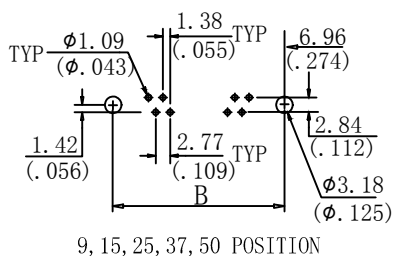


HSF



MOUNTING BRACKET

NO. OF Contact	A ±0.25 ±0.010	B ±0.13 ±0.005	c ±0.38 ±0.15	D
09	16.92 .666	24.99 .984	30.81 1.213	0.331 8.4
15	25.25 .994	33.32 1.312	39.14 1.541	0.331 8.4
25	38.96 1.534	47.04 1.852	53.04 2.088	0.331 8.4
37	55.42 2.182	63.5 2.500	69.32 2.729	0.331 8.4
50	2.635 66.93	2.406 61.11	2.079 52.8	0.437 11.10



MATERIALS AND FINISH
 SHELL:STEEL MATERIAL, FRONT SHELL NICKEL FINISHED
 BACK SHELL NICKEL FINISHED
 INSULATOR:PBT THERMOPLASTIC, 30% GLASS
 FILLED, UL 94V-0 RATED, WHITE COLOR
 CONTACT MATERIAL:BRASS
 CONTACT FINISH:FULL 2u" GOLD
 ELECTRICAL CHARACTERISTICS
 CONTACT CURRENT RATING : 5.0 AMPS
 CONTACT RESISTANCE : 30 MILLIOHMS MAX.
 DIELECTRIC WITHSTANDING VOLTAGE : 1000 V AC MIN
 INSULATION RESISTANCE : 5000 MEGAOHMS MIN
 TEMPERATURE RATING : -55°C ~ +105°C

Ordering Code:

MDR01 - M - X - X - X
 ① ② ③ ④ ⑤ ⑥

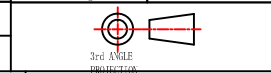
- ① MDR Series
- ② Contact Type:
- ③ M:male
Contact NO. :
09=09pin 15=15pin
25=25pin 37=37pin
50=50Pin
- ④ Mounting Option:
A: No accessories
B:SHORT BRACKET WTH4-40
SCREW LOCK
C:SHORT BRACKET WTH4-40
SCREW SCREW ATTACHED
- ⑤ Insulation Color Code:
W:White L:Blue
B:Black G:Grey
- ⑥ Contact Plating
S: Selective Gold
S1:Selective 3u" Gold
S2:Selective 5u" Gold
S3:Selective 10u" Gold
S4:Selective 15u" Gold
S5:Selective30u" Gold
G0: Gold flash
G1: 3u" Gold over
G2: 5u" Gold over
G3: 10u" Gold over
G4: 15u" Gold over
G5: 30u" Gold over

Unless otherwise specified tolerance
 X. ±0.35 X.XX: ±0.20
 X.X: ±0.25 X.XXX: ±0.15

Antenk ANTENK ELECTRONICS CO., LTD
 Http://www.antenk.com
 E-mail:sales@antenk.com

SCALE: As Shown UNIT: mm
 DRAW Lv Xun Hua DATE 04/03/2019
 CHECK BobYang DATE 04/03/2019

TITLE: D-SUB R/MALE MACHINE PIN 7.2mm FOOTPRINT



DRAWING NO: MDR01-MXXXX
 PRODUCT NO: MDR01-MXXXX

REV	DESCRIPTION	DATE