

Specifications:

1. Current Rating: 1.0 A at 30V AC
2. Withstanding Voltage: 100V AC for one minute
3. Insulation Resistance: 100MΩ Min
4. Contact Resistance: 50MΩ Max
5. Mating Force: 3.57kgf Max
6. Unmating Force: 1.02kgf Min

Ordering Code:

MU3MS03 - X - X - X - X - X
 ① ② ③ ④ ⑤ ⑥

- | | |
|-----------------------|-------------------|
| ① Series No: | ⑤ Contact Plating |
| ② Shell Material: | G0: Gold flash |
| B: Brass | G1: 3u" Gold |
| I: Iron | G2: 5u" Gold |
| S: Stainless Steel | G3: 10u" Gold |
| ③ Insulator Material: | G4: 15u" Gold |
| P: PBT+30%GF | G5: 30u" Gold |
| L: LCP | ⑥ Packing |
| ④ Contact Material: | A: Tray |
| B: Brass | B: Bag |
| P: phosphor copper | C: Tube |
| | D: Tape & Reel |

Unless Otherwise specified tolerance
 X. ±0.35 X.XX: ±0.20
 X.X: ±0.25 X.XXX: ±0.15

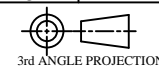
 ANTENK ELECTRONICS CO., LTD
 Http://www.antenk.com
 E-mail:sales@antenk.com

SCALE: As Shown	UNIT: mm
DRAW Lv Xun Hua	DATE 22/06/2019
CHECK BobYang	DATE 22/06/2019

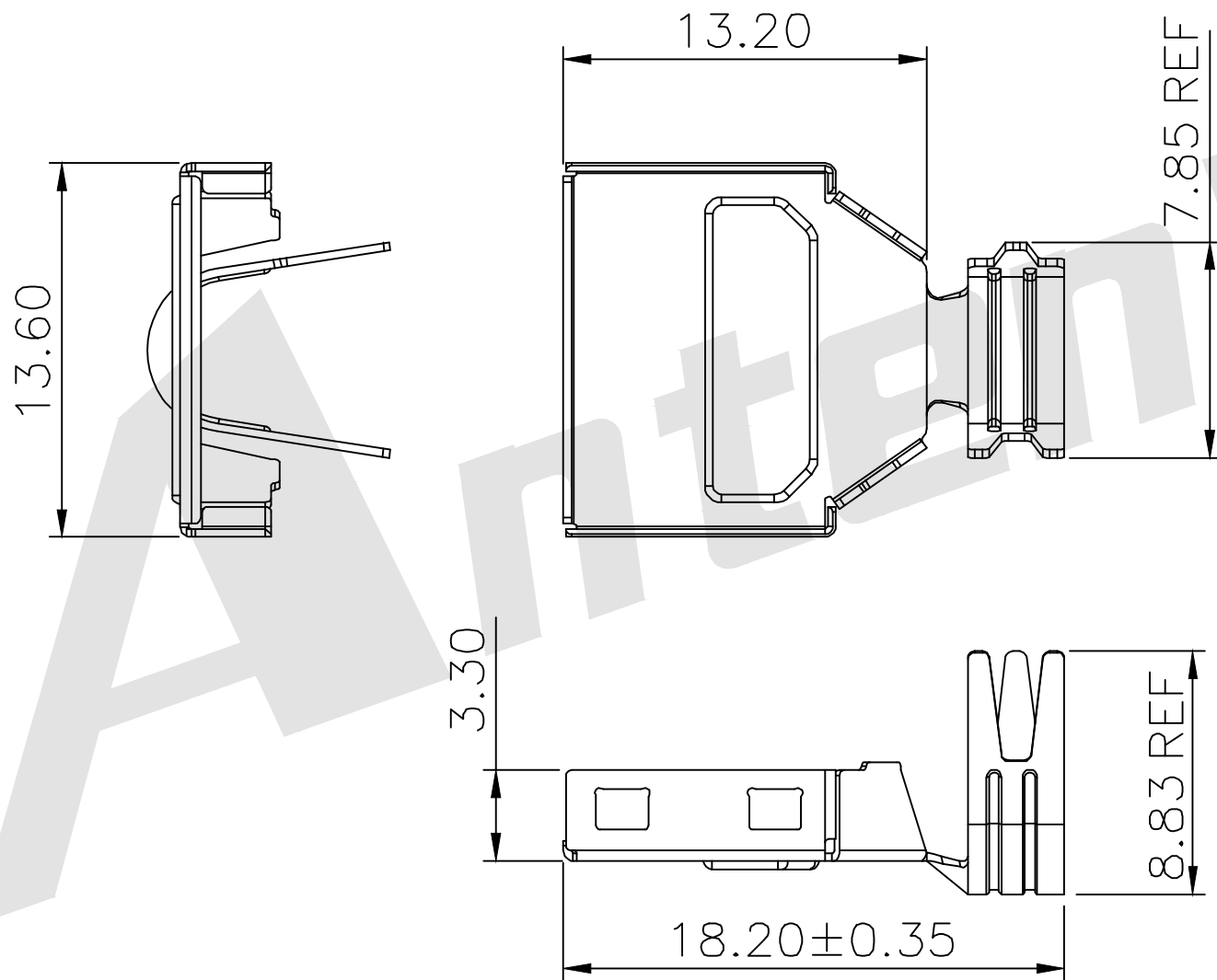
TITLE: MICRO USB 3.0 B MALE, SLIM
 SOLDER STRADDLE TYPE

DRAWING NO: MU3MS03 - XXXXX

PRODUCT NO: MU3MS03 - XXXXX




REV	DESCRIPTION	DATE
1		
2		
3		
4		
5		
6		
7		
8		



Unless Otherwise specified tolerance
 X. \pm 0.35 X.XX: \pm 0.20
 X.X: \pm 0.25 X.XXX: \pm 0.15

SCALE: As Shown	UNIT: mm
DRAW Lv Xun Hua	DATE 22/06/2019
CHECK BobYang	DATE 22/06/2019



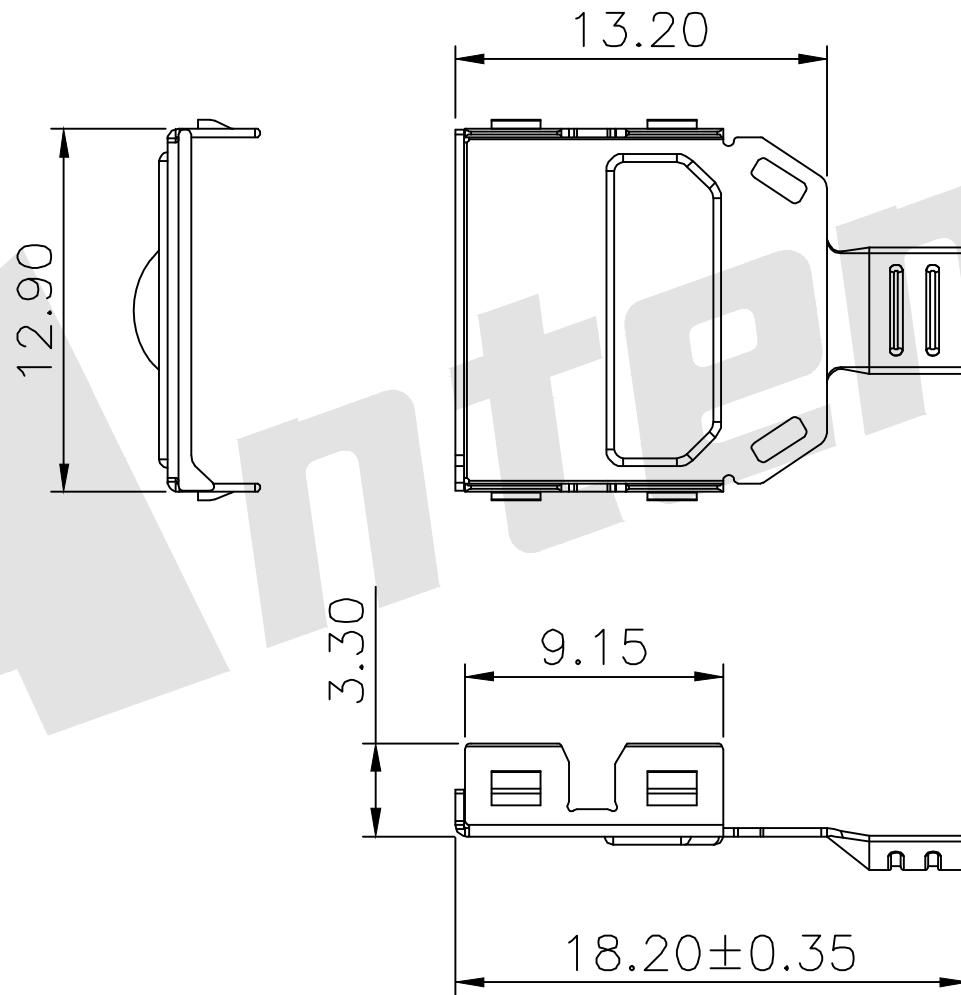
 ANTENK ELECTRONICS CO.,LTD
[Http://www.antenk.com](http://www.antenk.com)
 E-mail:sales@antenk.com

TITLE:
MICRO USB 3.0 PLUG B TYPE-TOP SHELL


DRAWING NO: MU3MS03 - XXXXX

PRODUCT NO: MU3MS03 - XXXXX

REV	DESCRIPTION	DATE



Unless Otherwise specified tolerance
 X.±0.35 X.XX:±0.20
 X.X:±0.25 X.XXX:±0.15

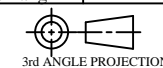
 ANTENK ELECTRONICS CO.,LTD
 Http://www.antenk.com
 E-mail:sales@antenk.com

SCALE: As Shown	UNIT: mm
DRAW Lv Xun Hua	DATE 22/06/2019
CHECK BobYang	DATE 22/06/2019

TITLE:
Micro USB 3.0 PLUG B TYPE - BOTTOM SHELL

DRAWING NO: MU3MS03 - XXXXX

PRODUCT NO: MU3MS03 - XXXXX



REV	DESCRIPTION	DATE
1		
2		
3		
4		
5		