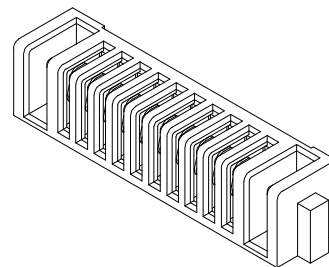
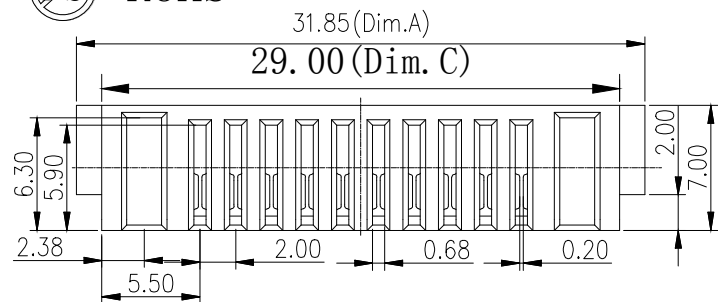
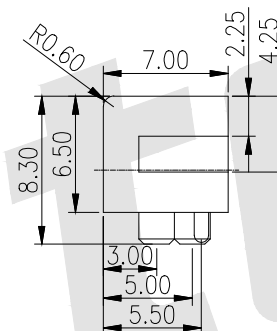
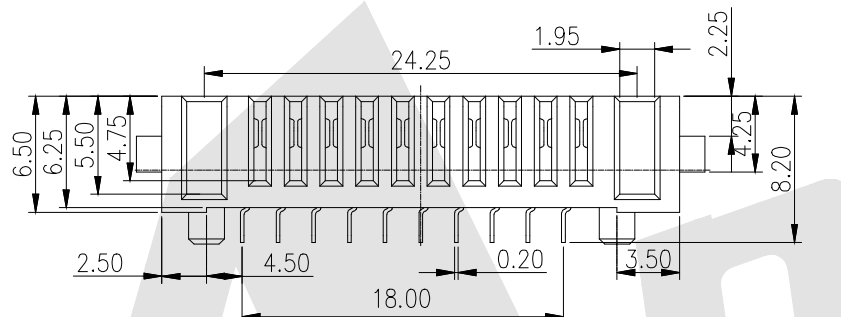


HSF



Material:
 Insulator: Nylon 9T (UL94V-0)
 Contact: Phosphor Bronze
 Contact Plated: Gold Over Nickel or Tin Specification
 Current Rating: 7A
 Instant Current: 10A
 Contact Resistance: 30mΩ
 Insulation Resistance: 100MΩ
 Dielectric Voltage: 500V
 Operating Temperature: -40° ~ 105°

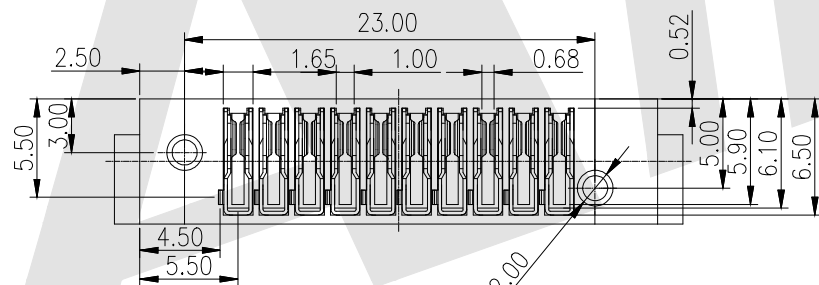


Order code:

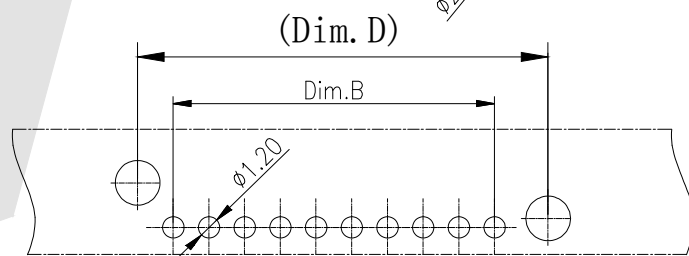
ABT26 - 10 - L - A - X - D

① ② ③ ④ ⑤ ⑥

- ① Series No:
- ② No. of Contacts
- ③ Insulator Material: P: PBT+30%GF L: LCP
- ④ Pitch A: 2.0mm
- ⑤ Contact Plating: G0: Gold flash G1: 3u" gold G2: 5u" gold G3: 10u" gold G4: 15u" gold G5: 30u" gold
- ⑥ Packing: A: Tray B: Bag C: Tube D: Tape Reel



No. of Pins	Dimension			
	DIM.A	DIM.B	DIM.C	DIM.D
03	17.85	4.00	15.00	9.00
04	19.85	6.00	17.00	11.00
05	21.85	8.00	19.00	13.00
06	23.85	10.00	21.00	15.00
07	25.85	12.00	23.00	17.00
08	27.85	14.00	25.00	19.00
09	29.85	16.00	27.00	21.00
10	31.85	18.00	29.00	23.00
11	33.85	20.00	31.00	25.00
12	35.85	22.00	33.00	27.00



Recommended P.C.B Layout

Unless Otherwise specified tolerance
 X. ±0.35 X.XX: ±0.20
 X.X: ±0.25 X.XXX: ±0.15

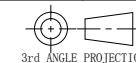
Antenk ANTENK ELECTRONICS CO., LTD
 Http://www.antenk.com
 E-mail: sales@antenk.com

SCALE: As Shown UNIT: mm
 DRAW: Wu Feng Rong DATE: 16/03/2020
 CHECK: BobYang DATE: 16/03/2020

TITLE: 2.0 Notebook Computer 10 Circuit Battery Connector Female

DRAWING NO: ABT26-10LAXD

PRODUCT NO: ABT16-10LAXD



REV	DESCRIPTION	DATE