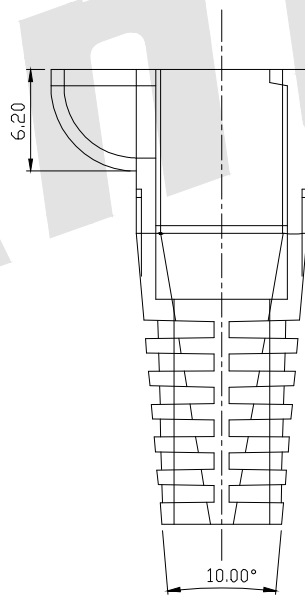
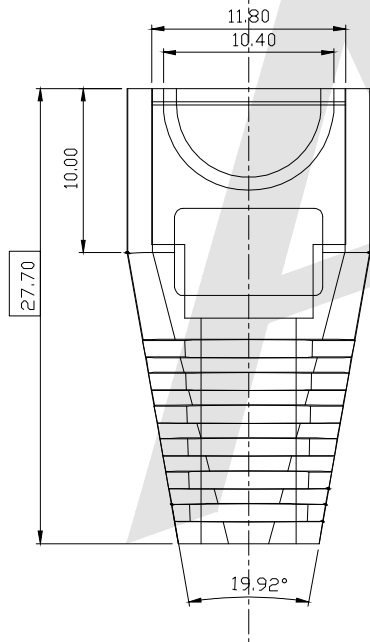
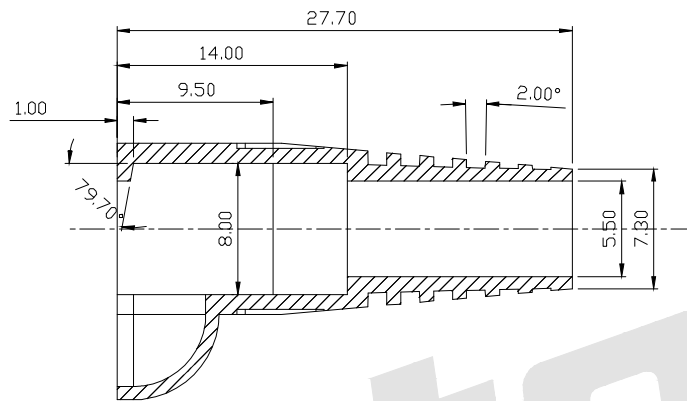
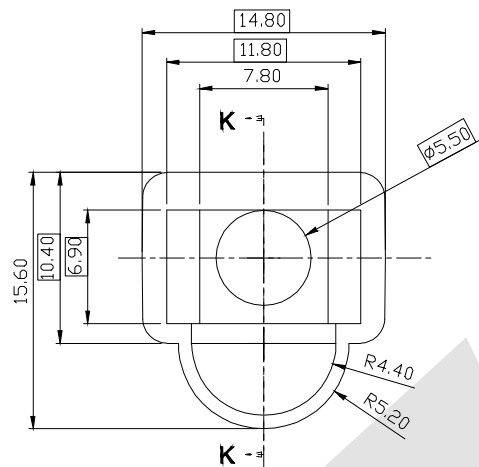


HSF



Ordering Code:

ATRPSR - A - X - 001
 ① ② ③ ④

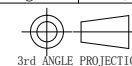
- 1. Series:
- 2. Jacket Material:
A:PVC
- 3. Color:
A:Brown B:Gray
C:Green D:Blue
E:Red F:Yellow
- 4. Serial number:

Unless Otherwise specified tolerance
 X. ±0.35 X.XX: ±0.20
 X.X: ±0.25 X.XXX: ±0.15

Antenk® ANTENK ELECTRONICS CO.,LTD
[Http://www.antenk.com](http://www.antenk.com)
 E-mail:sales@antenk.com

SCALE: As Shown	UNIT: mm
DRAW Wu Feng Rong	DATE 16/09/2019
CHECK BobYang	DATE 16/09/2019

TITLE:	RJ45 PLUG SR Cover
DRAWING NO:	ATRPSR-AX-001
PRODUCT NO:	ATRPSR-AX-001



REV	DESCRIPTION	DATE
1		
2		
3		
4		
5		

Unless Otherwise specified tolerance X. ±0.35 X.XX: ±0.20 X.X: ±0.25 X.XXX: ±0.15	
SCALE: As Shown	UNIT: mm
DRAW Wu Feng Rong	DATE 16/09/2019
CHECK BobYang	DATE 16/09/2019
TITLE:	RJ45 PLUG SR Cover
DRAWING NO:	ATRPSR-AX-001
PRODUCT NO:	ATRPSR-AX-001