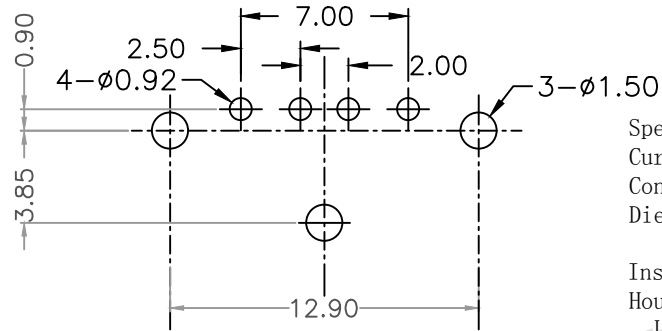
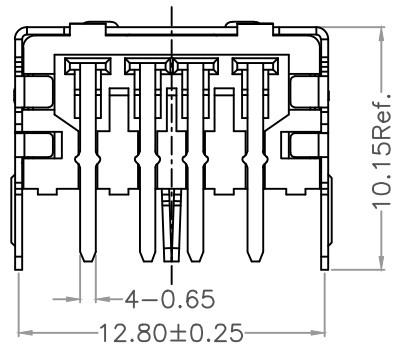
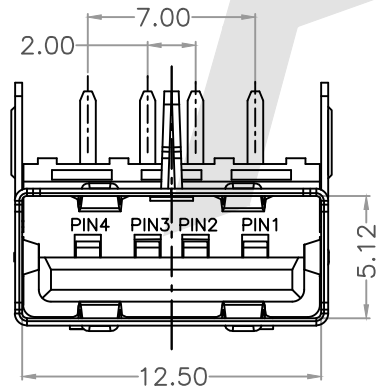
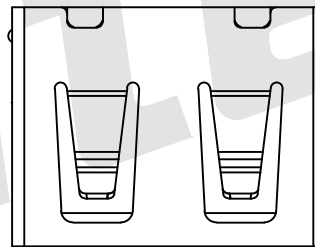
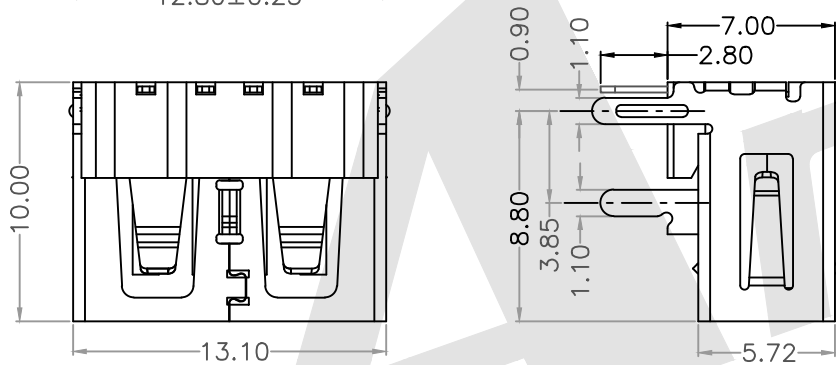


HSF



GENERAL TOLERANCES:±0.05



Specifications:
 Current Rating: 1.5A Max
 Contact Resistance: 30 milliohms MAX
 Dielectric Withstanding Voltage: 500V AC AT Sea Level
 Insulation Resistance:1000 Megohms MIN
 Housing: LCP, UL94 V-0; BLACK
 Contact: COPPER ALLOY
 Shell:COPPER ALLOY
 Ordering Code:

UAFR12 - X - X - X - X - X - X
 ① ② ③ ④ ⑤ ⑥ ⑦

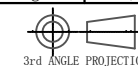
- ① Series No:
- ② Shell Material:
 B:Brass
 I:Iron
 S:stainless steel
- ③ Insulator Material:
 P:PBT+30%GF
 L:LCP
- ④ Contact Material:
 B:Brass
 P:phosphor copper
- ⑤ Contact Plating
 G0: Gold flash
 G1: 3u" Gold
 G2: 5u" Gold
 G3: 10u" Gold
 G4: 15u" Gold
 G5: 30u" Gold
- ⑥ Color Insulator
 A:White
 Packing B:Black
 A:Tray
 B:Bag
 C:Tube D:Tape & Reel

Unless Otherwise specified tolerance
 X. ±0.35 X.XX:±0.20
 X.X:±0.25 X.XXX:±0.15

Antenk ANTEK ELECTRONICS CO., LTD
[Http://www.antenk.com](http://www.antenk.com)
 E-mail:sales@antenk.com

SCALE: As Shown	UNIT: mm
DRAW Lv Xun Hua	DATE 17/06/2019
CHECK BobYang	DATE 17/06/2019

TITLE:
 USB A Type Receptacle Angle
 DIP12.90mm Short Body 10MM(3legs)



DRAWING NO: UAFR12-XXXXXX
 PRODUCT NO: UAFR12-XXXXXX

REV	DESCRIPTION	DATE