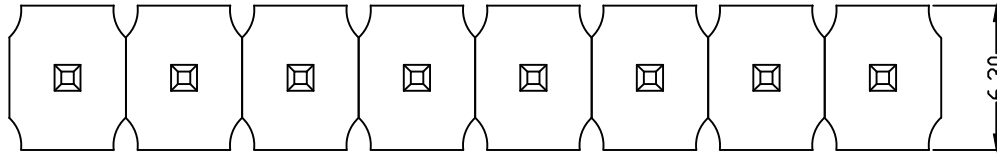


HSF



### SPECIFICATION

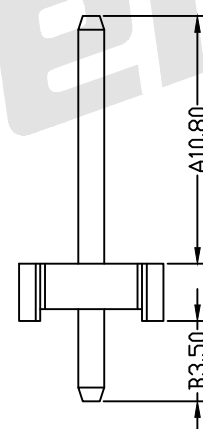
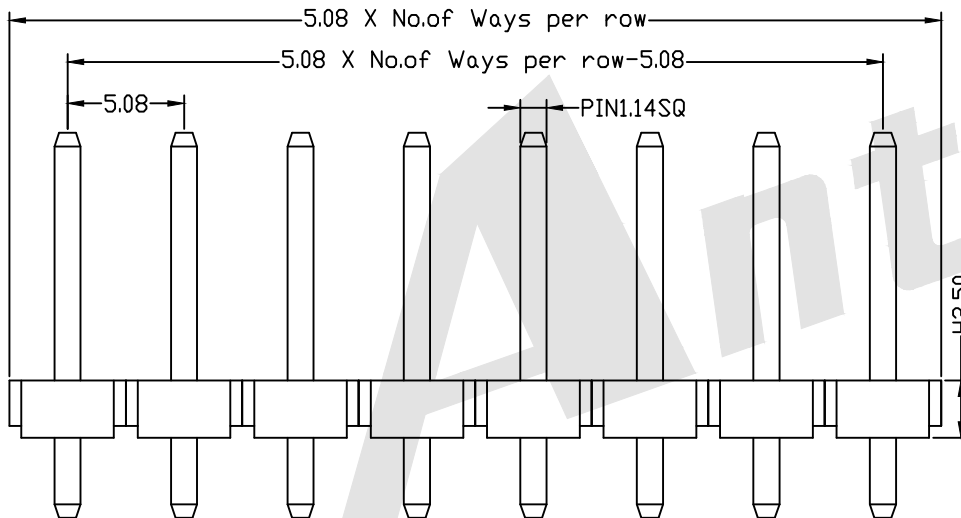
Current Rating: 7 Amp  
 Insulation Resistance: 1000M ohms min  
 Contact Resistance: 20M ohms max  
 Dielectric Withstanding: AC500V  
 Operating Temperature: -65°C to +125°C  
 Contact Material: Brass  
 Insulator Material: LCP,UL 94V-0 Black



#### Ordering Code:

PHGS01 - X - X - S - A-B - X - X  
 ① ② ③ ④ ⑤ ⑥ ⑦

- ① Series No:
- ② No. of Contacts: 01 To 40
- ③ Contact Plating:  
 G0:Gold flash S0:Selective  
 G1:3u" Gold S1:Selective 3u"  
 G2:5u" Gold S2:Selective 5u"  
 G3:10u" Gold S3:Selective 10u"  
 G4:15u" Gold S4:Selective 15u"  
 G5:30u" Gold S5:Selective 30u"  
 SN: Tin
- ④ Connector Type:  
 S: Single
- ⑤ Pin Length:  
 A:1080=10.80mm  
 B:0350=3.50mm  
 Please mark the desired length in the A/B
- ⑥ Insulator Material:  
 B:PA6T  
 C:LCP  
 E:PA9T
- ⑦ Packing:  
 A:Tray  
 B:Bag  
 T:Tube  
 U:Tube+CAP  
 R:Tape&Reel  
 W:Tape&Reel+CAP



PCB LAYOUT

Standard IE P/N : PHGS01-10-G0-S-1080-0350-C-B

|          |      |                                      |               |
|----------|------|--------------------------------------|---------------|
| A        | B    | Unless Otherwise specified tolerance |               |
| 10.5     | 3.50 | X. ±0.35                             | X. XX: ±0.20  |
|          |      | X. X: ±0.25                          | X. XXX: ±0.15 |
| Optional |      | SCALE:<br>As Shown                   | UNIT:<br>mm   |

**Antenk** ANTEK ELECTRONICS CO., LTD  
 Http://www.antenk.com  
 E-mail:sales@antenk.com

|          |                                      |            |   |
|----------|--------------------------------------|------------|---|
| REVISION | DESCRIPTION                          | DATE       | TITLE                                       |
|          | Increase packing method and material | 2016/10/25 | 5.08 mm Pin Header Single Row Straight Type |
|          |                                      |            | DRAWING NO: PHGS01-XXS-1080-0350-XX         |
|          |                                      |            | PRODUCT NO: PHGS01-XXS-1080-0350-XX         |

