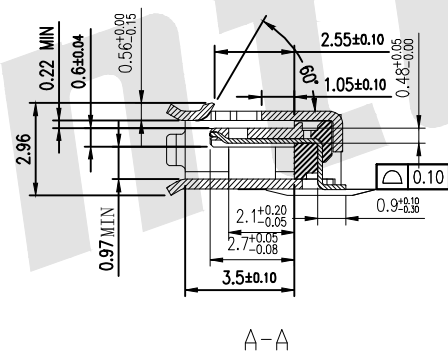
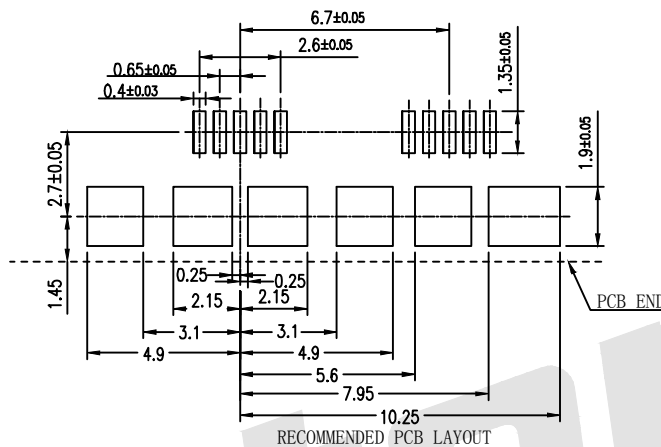
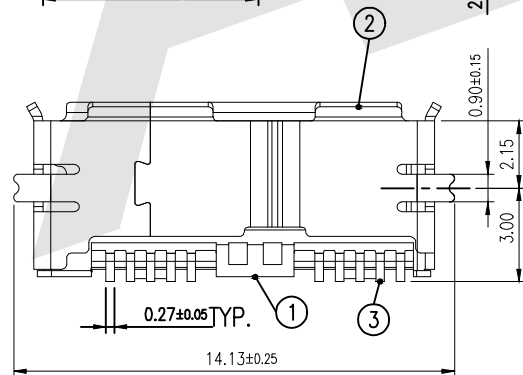
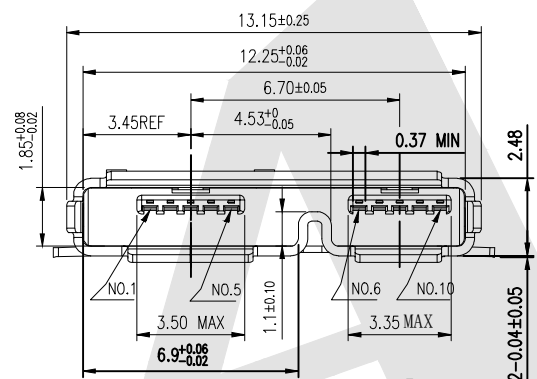
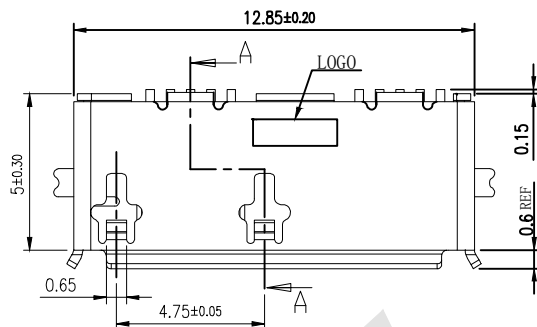


HSF



SPECIFICATIONS:

Contact current Rating:
 1.8Amperes Max for pin1&pin5 And
 0.25 Amperes for other contacts
 Voltage: 30V Max
 Dielectric Withstanding Voltage:AC 100V(RMS)
 Insulation resistance:100Megohms Minimum.
 Contact Resistance:
 30mΩ Max for (Vbus And Ground Pin)
 50mΩMax for other contacts
 Mechanical Characteristics:
 Mating Force:35 Newtons.Maximum
 Unmating Force:10 Newtons.Minimum.
 8N Min After Durbaility
 Durability: 10000 Cycles Min

MATERIAL:

Housing: Insulator:Thermoplastic,High Temperature 94V-0
 Contact: copper alloy
 Shell: copper alloy&SUS
 PLATING:

contact : Au plated on contact area
 Tin plated on solder area
 Nickel underplating overall
 Shell: Nickel Plated
 operating Temperature:-55°Cto+85°C

Ordering Code:

MU3FM01 - X - L - X - X - X
 ① ② ③ ④ ⑤ ⑥

- ① Series No:
- ② Shell Material:
B:Brass
S:Stainless steel
- ③ Insulator Material:
L:LCP
- ④ Contact Material:
B:Brass
P:Phosphor Copper
- ⑤ Contact Plating
G0: Gold flash
G1: 3u" Gold
G2: 5u" Gold
G3: 10u" Gold
G4: 15u" Gold
G5: 30u" Gold
- ⑥ Packing
A:Tray
B:Bag
C:Tube
D:Tape & Reel

Pin Number	Signal Name	Pin Number	Signal Name
1	VBUS	6	MicB_SSRX-
2	D-	7	MicB_SSRX+
3	D+	8	GND_DRAIN
4	ID	9	MicB_SSRX-
5	GND_	10	MicB_SSRX+

Unless Otherwise specified tolerance
 X. ±0.35 X.XX:±0.20
 X.X:±0.25 X.XXX:±0.15

SCALE:
As Shown UNIT:
mm
 DRAW Lv Xun Hua DATE 21/06/2019
 CHECK BobYang DATE 21/06/2019



Antenk ANTENK ELECTRONICS CO., LTD
 Http://www.antenk.com
 E-mail:sales@antenk.com

TITLE:
Micro USB 3.0 Receptacle SMT AB Type
 DRAWING NO: MU3FM01-XXXXX
 PRODUCT NO: MU3FM01-XXXXX

REV	DESCRIPTION	DATE