

SPECIFICATIONS:

- Voltage rating: 125V AC/DC
- Current rating: 2A AC/DC
- Withstanding Voltage: 500V AC/minute
- Insulation resistance: 1000MΩ Min.
- Temperature range: -25°C To +85°C
- Contact resistance: 20mΩ Max.

Standards

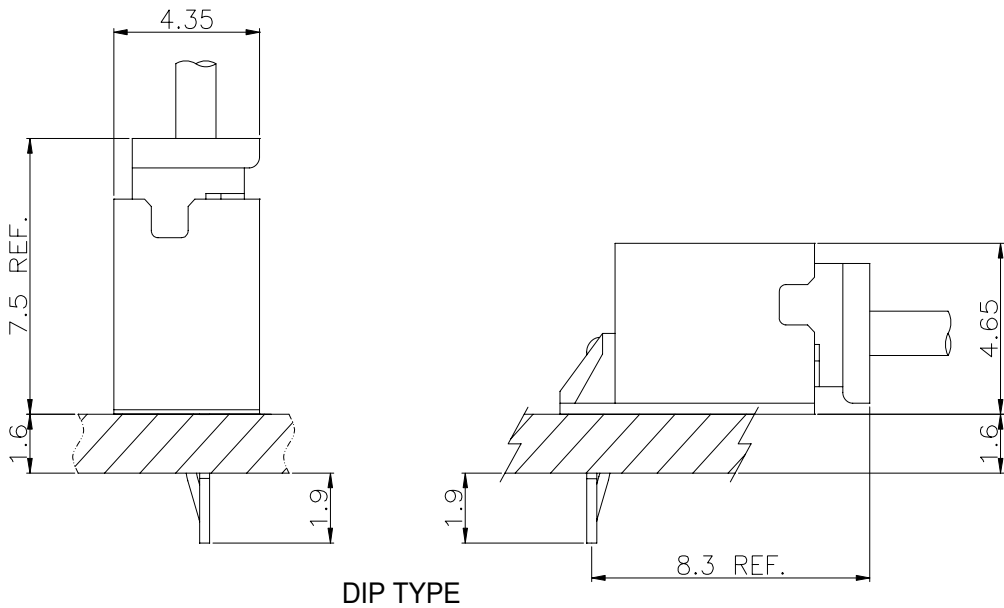
HSF



RoHS

Wire to Board

Assembly Layout

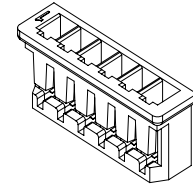
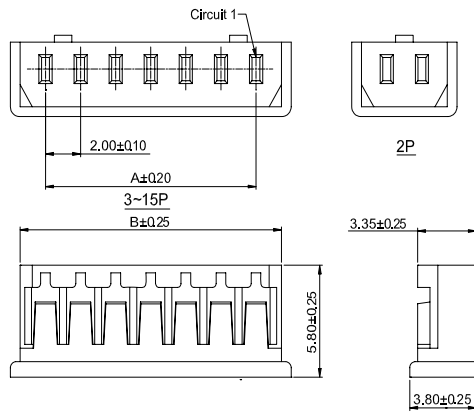


Connectors Expert Around You

2.00mm Pitch housing connector

HOUSING

- Part NO.:AH2004-xxP
- Poles:02-15P
- Suitable:AT2004T series Terminal
- Mates with:AW2004 series Wafer
- Material:Nylon 66,UL94v-0
- Color:White



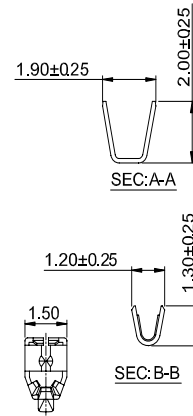
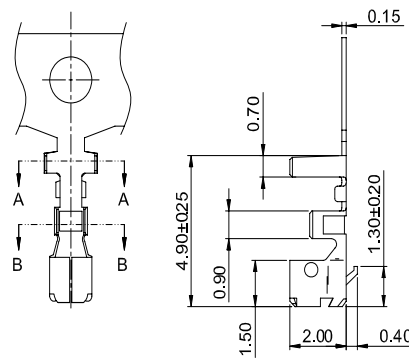
Ordering Information & Dimensions:

Poles	Part No.	Dimensions(mm)	
		A	B
2	AH2004-02P	2.00	5.90
3	AH2004-03P	4.00	7.90
4	AH2004-04P	6.00	9.90
5	AH2004-05P	8.00	11.90
6	AH2004-06P	10.00	13.90
7	AH2004-07P	12.00	15.90
8	AH2004-08P	14.00	17.90
9	AH2004-09P	16.00	19.90
10	AH2004-10P	18.00	21.90
11	AH2004-11P	20.00	23.90
12	AH2004-12P	22.00	25.90
13	AH2004-13P	24.00	27.90
14	AH2004-14P	26.00	29.90
15	AH2004-15P	28.00	31.90

2.00mm Pitch crimp terminal connector

TERMINAL

- Part NO:AT2004T-XP
- Applicable wire:AWG#24-#28
- Material:Phosphor Bronze
- Finish:Tin Plated or Gold
- Used in AH2004 series Housing



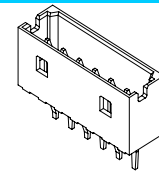
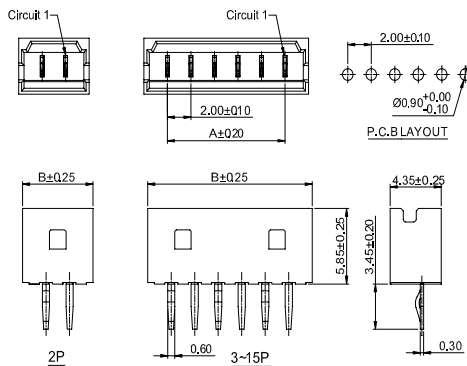
Ordering information & Specifications:

Part NO.	Wire Range	Insulation O.D.	Material	Finish	Qty/reel
AT2004T-TP	AWG#24-#28	1.40mm(max)	Phosphor Bronze	Tin over Nickel	10,000 PCS
AT2004T-GP	AWG#24-#28	1.40mm(max)	Phosphor Bronze	Gold over Nickel	10,000 PCS

2.00mm Pitch 180° wafer connector

WAFER

- Part NO:AW2004V-xxP
- Material:Pin:Phosphor Bronze/Tin over Nickel
- Insulator:Nylon 66,UL94V-0
- Mates with:AH2004 series Housing
- Color:Ivory



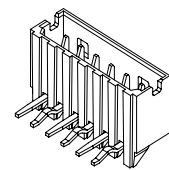
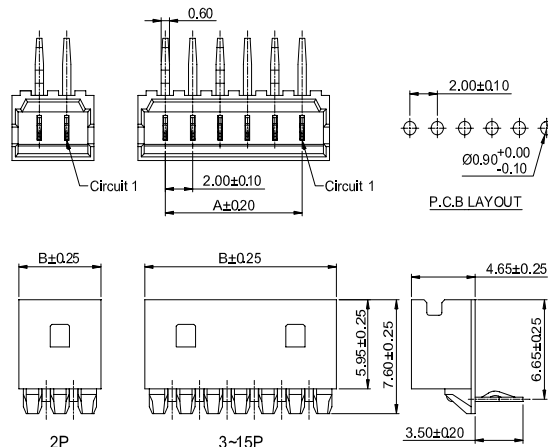
Ordering Information & Dimensions:

Poles	Part No.	Dimensions(mm)	
		A	B
2	AW2004V-02P	2.00	6.00
3	AW2004V-03P	4.00	8.00
4	AW2004V-04P	6.00	10.00
5	AW2004V-05P	8.00	12.00
6	AW2004V-06P	10.00	14.00
7	AW2004V-07P	12.00	16.00
8	AW2004V-08P	14.00	18.00
9	AW2004V-09P	16.00	20.00
10	AW2004V-10P	18.00	22.00
11	AW2004V-11P	20.00	24.00
12	AW2004V-12P	22.00	26.00
13	AW2004V-13P	24.00	28.00
14	AW2004V-14P	26.00	30.00
15	AW2004V-15P	28.00	32.00

2.00mm Pitch 90° wafer connector

WAFER

- Part NO:AW2004R-xxP
- Material:Pin:Phosphor Bronze/Tin over Nickel
- Insulator:Nylon 66,UL94V-0
- Mates with:AH2004 series Housing
- Color:Ivory



Ordering Information & Dimensions:

Poles	Part No.	Dimensions(mm)	
		A	B
2	AW2004R-02P	2.00	6.00
3	AW2004R-03P	4.00	8.00
4	AW2004R-04P	6.00	10.00
5	AW2004R-05P	8.00	12.00
6	AW2004R-06P	10.00	14.00
7	AW2004R-07P	12.00	16.00
8	AW2004R-08P	14.00	18.00
9	AW2004R-09P	16.00	20.00
10	AW2004R-10P	18.00	22.00
11	AW2004R-11P	20.00	24.00
12	AW2004R-12P	22.00	26.00
13	AW2004R-13P	24.00	28.00
14	AW2004R-14P	26.00	30.00
15	AW2004R-15P	28.00	32.00