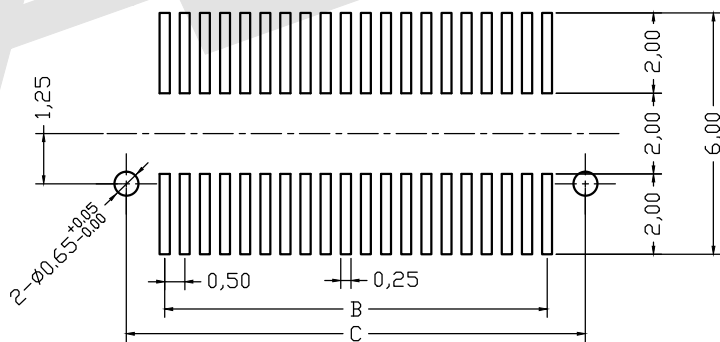
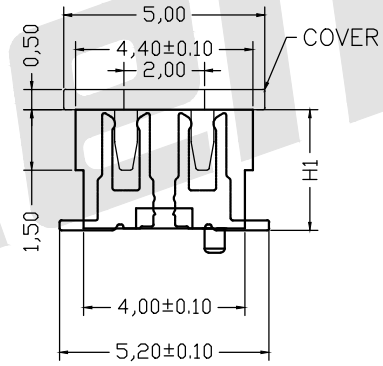
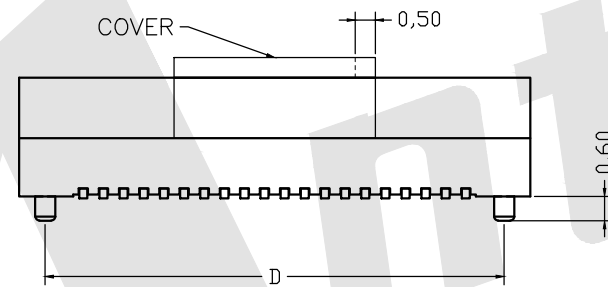
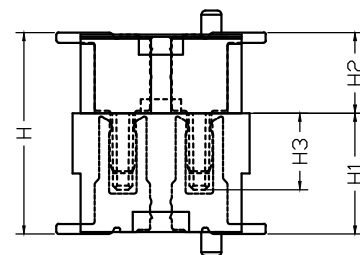
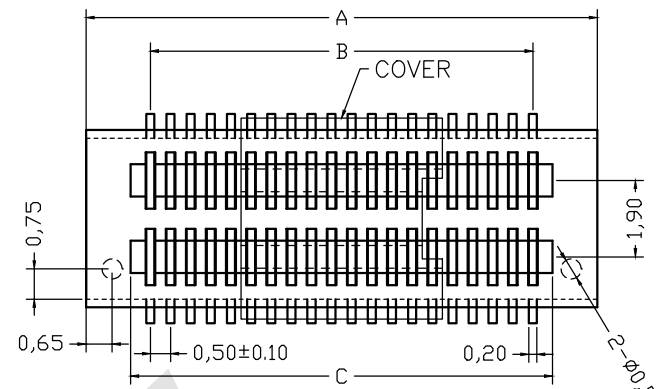




| NO. of Contacts | Dimension (mm) |        |        |        |
|-----------------|----------------|--------|--------|--------|
|                 | A±0.10         | B±0.10 | D±0.10 | C±0.10 |
| 8               | 4.70           | 1.50   | 3.40   | 2.48   |
| 10              | 5.20           | 2.00   | 3.90   | 2.98   |
| 12              | 5.70           | 2.50   | 4.40   | 3.48   |
| 14              | 6.20           | 3.00   | 4.90   | 3.98   |
| 16              | 6.70           | 3.50   | 5.40   | 4.48   |
| 18              | 7.20           | 4.00   | 5.90   | 4.98   |
| 20              | 7.70           | 4.50   | 6.40   | 5.48   |
| 22              | 8.20           | 5.00   | 6.90   | 5.98   |
| 24              | 8.70           | 5.50   | 7.40   | 6.48   |
| 26              | 9.20           | 6.00   | 7.90   | 6.98   |
| 28              | 9.70           | 6.50   | 8.40   | 7.48   |
| 30              | 10.20          | 7.00   | 8.90   | 7.98   |
| 32              | 10.70          | 7.50   | 9.40   | 8.48   |
| 34              | 11.20          | 8.00   | 9.90   | 8.98   |
| 36              | 11.70          | 8.50   | 10.40  | 9.48   |
| 38              | 12.20          | 9.00   | 10.90  | 9.98   |
| 40              | 12.70          | 9.50   | 11.40  | 10.48  |
| 42              | 13.20          | 10.00  | 11.90  | 10.98  |
| 44              | 13.70          | 10.50  | 12.40  | 11.48  |
| 46              | 14.20          | 11.00  | 12.90  | 11.98  |
| 48              | 14.70          | 11.50  | 13.40  | 12.48  |
| 50              | 15.20          | 12.00  | 13.90  | 12.98  |
| 52              | 15.70          | 12.50  | 14.40  | 13.48  |
| 54              | 16.20          | 13.00  | 14.90  | 13.98  |
| 56              | 16.70          | 13.50  | 15.40  | 14.48  |
| 58              | 17.20          | 14.00  | 15.90  | 14.98  |
| 60              | 17.70          | 14.50  | 16.40  | 15.48  |
| 62              | 18.20          | 15.00  | 16.90  | 15.98  |
| 64              | 18.70          | 15.50  | 17.40  | 16.48  |
| 66              | 19.20          | 16.00  | 17.90  | 16.98  |
| 68              | 19.70          | 16.50  | 18.40  | 17.48  |
| 70              | 20.20          | 17.00  | 18.90  | 17.98  |
| 72              | 20.70          | 17.50  | 19.40  | 18.48  |
| 74              | 21.20          | 18.00  | 19.90  | 18.98  |
| 76              | 21.70          | 18.50  | 20.40  | 19.48  |
| 78              | 22.20          | 19.00  | 20.90  | 19.98  |
| 80              | 22.70          | 19.50  | 21.40  | 20.48  |
| 82              | 23.20          | 20.00  | 21.90  | 20.98  |
| 84              | 23.70          | 20.50  | 22.40  | 21.48  |
| 86              | 24.20          | 21.00  | 22.90  | 21.98  |
| 88              | 24.70          | 21.50  | 23.40  | 22.48  |
| 90              | 25.20          | 22.00  | 23.90  | 22.98  |
| 92              | 25.70          | 22.50  | 24.40  | 23.48  |
| 94              | 26.20          | 23.00  | 24.90  | 23.98  |
| 96              | 26.70          | 23.50  | 25.40  | 24.48  |
| 98              | 27.20          | 24.00  | 25.90  | 24.98  |
| 100             | 27.70          | 24.50  | 26.40  | 25.48  |



P.C.B PATTEN

Electrical:  
 Vlotag Rating:50V AC(rms)/DC  
 Current Rating:0.5A AC(rms)/DC  
 Contact Resistance:50mΩ Max  
 Insulation Resistance:100MΩ min  
 Dielectric Withstanding Voltage:200V AC r.m.s  
 Operating Temperature:-30°C~+80°C  
 Materials  
 Housing:High Temperature Plastic UL94V-0  
 Terminal:Copper Alloy  
 Material:PA9T  
 Contact:phosphor Bronae,Gold Plating;

Ordering Code:  
 BB0.5 - F - X - X - X - X - 05  
 ① ② ③ ④ ⑤ ⑥ ⑦

- ① Series NO: 0.5mm Board to Board connector
- ② M:Male F:Female
- ③ mating Height: 3.0=3.00mm, 3.5=3.50mm, 4.0=4.00mm, 4.5=4.50mm, 5.0=5.00mm, 5.5=5.50mm, 6.0=6.00mm, 6.5=6.50mm
- ④ NO. of contacts: see table For example 24:24poles
- ⑤ Contact Plating: G0: Gold flash, G1: 3u" Gold, G2: 5u" Gold, G3: 10u" Gold, G4: 15u" Gold, G5: 30u" Gold, SN: Tin
- ⑥ Packing: T:Tube A:Tray, B:Bag U:Tube+CAP, R:tape&Reel, W:tape&Reel+CAP
- ⑦ serial number: 05

| High photosynthesis (H) | The female seat height (H1) | The male seat height (H2) | Insertion height (H3) |
|-------------------------|-----------------------------|---------------------------|-----------------------|
| 3.0                     | 2.2                         | 0.8                       | 1.6                   |
| 3.5                     | 2.2                         | 1.3                       | 1.6                   |
| 4.0                     | 3.0                         | 1.0                       | 1.9                   |
| 4.5                     | 3.5                         | 1.0                       | 1.9                   |
| 5.0                     | 3.0/4.0                     | 2.0/1.0                   | 1.9                   |
| 5.5                     | 3.5/4.5                     | 2.0/1.0                   | 1.9                   |
| 6.0                     | 4.0                         | 2.0                       | 1.9                   |
| 6.5                     | 4.5                         | 2.0                       | 1.9                   |

Unless Otherwise specified tolerance

X. ±0.35 X.XX: ±0.20  
 X.X: ±0.25 X.XXX: ±0.15

|                  |                 |
|------------------|-----------------|
| SCALE: As Shown  | UNIT: mm        |
| DRAW Mo Guo Xuan | DATE 12/11/2018 |
| CHECK BobYang    | DATE 12/11/2018 |

**Antenk** ANTENK ELECTRONICS CO., LTD  
 Http://www.antenk.com  
 E-mail:sales@antenk.com

TITLE: 0.5mm Board to board connector, female, double groove, mating height=3.0~6.5mm

DRAWING NO: BB0.5F-XXXX05  
 PRODUCT NO: BB0.5F-XXXX05

| REV | DESCRIPTION | DATE |
|-----|-------------|------|
|     |             |      |

