

## SPECIFICATIONS:

- Voltage rating: 250V AC/DC
- Current rating: 7A AC/DC
- Withstanding Voltage: 1500V AC/minute
- Insulation resistance: 1000MΩ Min.
- Temperature range: -40°C To +105°C
- Contact resistance: 20mΩ Max.

## Standards

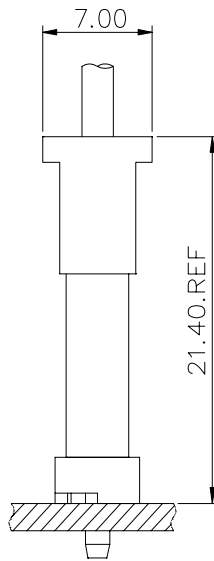
HSF



RoHS

Wire to Board

### Assembly Layout

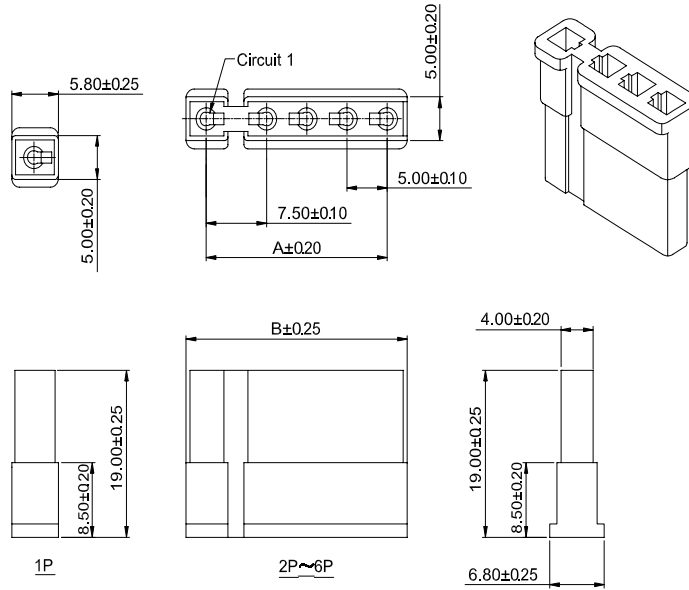


Wire To Board

## 7.50-5.00mm Pitch housing connector

### HOUSING

- Part NO.:AH1561-xP
- Suitable:AT1561T series Terminal
- Mates with:AW1561 series Wafer
- Material:Nylon 66,UL94V-0
- Color:White



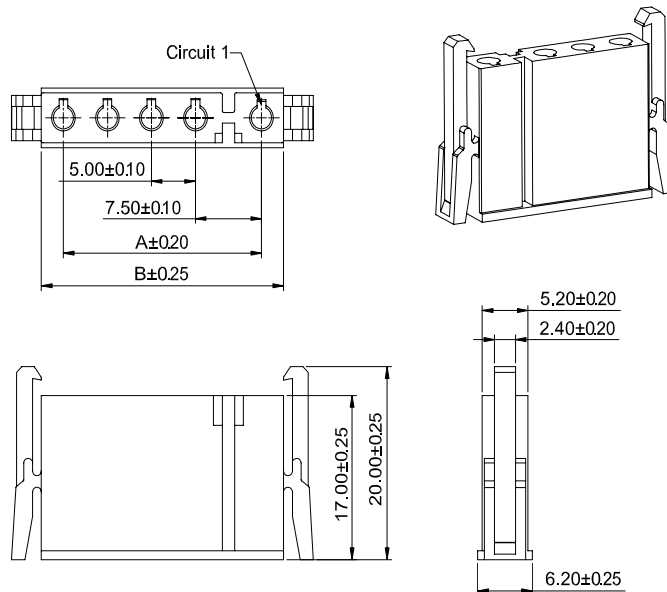
Ordering Information & Dimensions:

| Poles | Part No.   | Dimensions (mm) |       |
|-------|------------|-----------------|-------|
|       |            | A               | B     |
| 01    | AH1561-01P | —               | 5.80  |
| 02    | AH1561-02P | 7.50            | 12.50 |
| 03    | AH1561-03P | 12.50           | 17.50 |
| 04    | AH1561-04P | 17.50           | 22.50 |
| 05    | AH1561-05P | 22.50           | 27.50 |
| 06    | AH1561-06P | 27.50           | 32.50 |

## 7.50-5.00mm Pitch housing connector

### HOUSING

- Part NO.:AH1561A-xP
- Suitable:AT1561T series Terminal
- Mates with:AW1561VA series Wafer
- Material:Nylon 66,UL94V-0
- Color:White



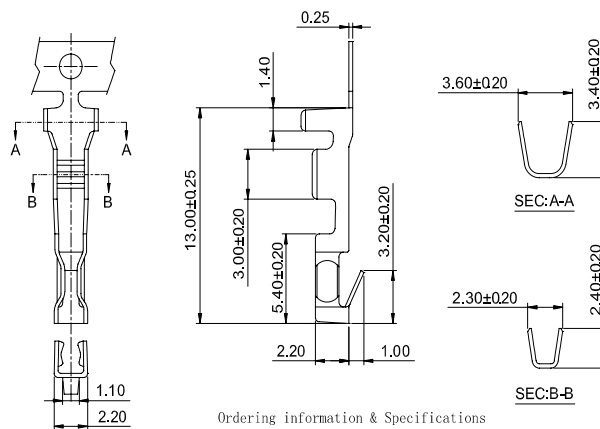
Ordering Information & Dimensions:

| Poles | Part No.    | Dimensions (mm) |       |
|-------|-------------|-----------------|-------|
|       |             | A               | B     |
| 02    | AH1561A-02P | 7.50            | 12.50 |
| 03    | AH1561A-03P | 12.50           | 17.50 |
| 04    | AH1561A-04P | 17.50           | 22.50 |
| 05    | AH1561A-05P | 22.50           | 27.50 |
| 06    | AH1561A-06P | 27.50           | 32.50 |

## 7.50-5.00mm Pitch crimp terminal connector

### TERMINAL

- Part NO:AT1561T-xP
- Applicable wire:AWG#18-#24
- Material:Brass or Phosphor Bronze
- Finish:Tin Plated or Gold
- Used in AH1561 series Housing



Ordering information & Specifications

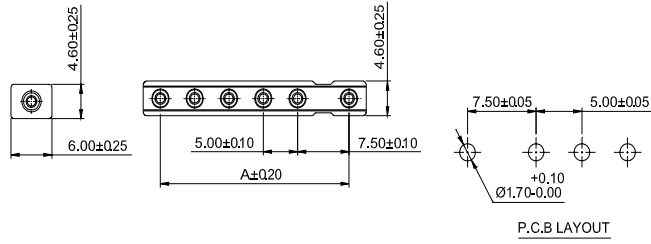
| Part NO.   | Wire Range | Insulation O.D. | Material        | Finish           | Qty/reel  |
|------------|------------|-----------------|-----------------|------------------|-----------|
| AT1561T-1B | AWG#18-#24 | 2.70mm(max)     | Brass           | Tin over Nickel  | 6,000 PCS |
| AT1561T-TP | AWG#18-#24 | 2.70mm(max)     | Phosphor Bronze | Tin over Nickel  | 6,000 PCS |
| AT1561T-GB | AWG#18-#24 | 2.70mm(max)     | Brass           | Gold over Nickel | 6,000 PCS |
| AT1561T-P  | AWG#18-#24 | 2.70mm(max)     | Phosphor Bronze | Gold over Nickel | 6,000 PCS |

Connectors Expert Around You

## 7.50-5.00mm Pitch 180° wafer connector

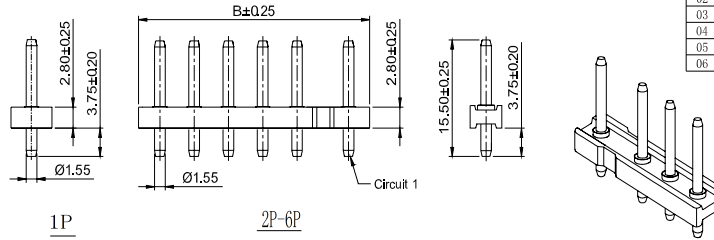
WAFER

- Part NO:AW1502VA-IT-S-xP
- Material:Pin:Brass/Tin over Nickel
- Solder Tabs:Brass/Tin over Nickel
- Insulator:LCP,UL94V-0
- Mates with:AH1502A series Housing
- Color: Ivory



Ordering Information & Dimensions:

| Poles | Part No.    | Dimensions(mm) |       |
|-------|-------------|----------------|-------|
|       |             | A              | B     |
| 01    | AW1561V-01P | ---            | 6.00  |
| 02    | AW1561V-02P | 7.50           | 12.60 |
| 03    | AW1561V-03P | 12.50          | 17.60 |
| 04    | AW1561V-04P | 17.50          | 22.60 |
| 05    | AW1561V-05P | 22.50          | 27.60 |
| 06    | AW1561V-06P | 27.50          | 32.60 |

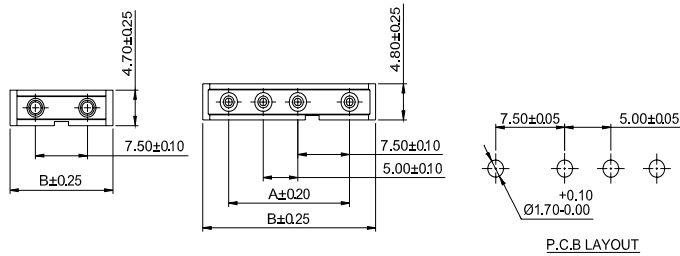


Wire to Board

## 7.50-5.00mm Pitch 180° wafer connector

WAFER

- Part NO:AW1561VA-xP
- Material:Pin:Brass/Tin over Nickel
- Insulator:Nylon 66,UL94V-0
- Mates with:AH1561A series Housing
- Color: White



Ordering Information & Dimensions:

| Poles | Part No.     | Dimensions(mm) |       |
|-------|--------------|----------------|-------|
|       |              | A              | B     |
| 02    | AW1561VA-02P | 7.50           | 14.90 |
| 03    | AW1561VA-03P | 12.50          | 20.00 |
| 04    | AW1561VA-04P | 17.50          | 25.00 |
| 05    | AW1561VA-05P | 22.50          | 30.00 |
| 06    | AW1561VA-06P | 27.50          | 35.00 |

