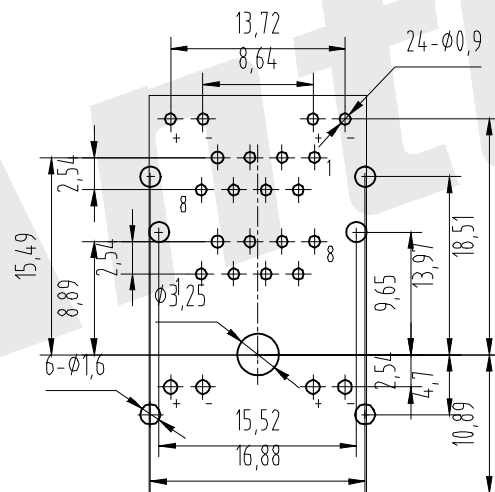
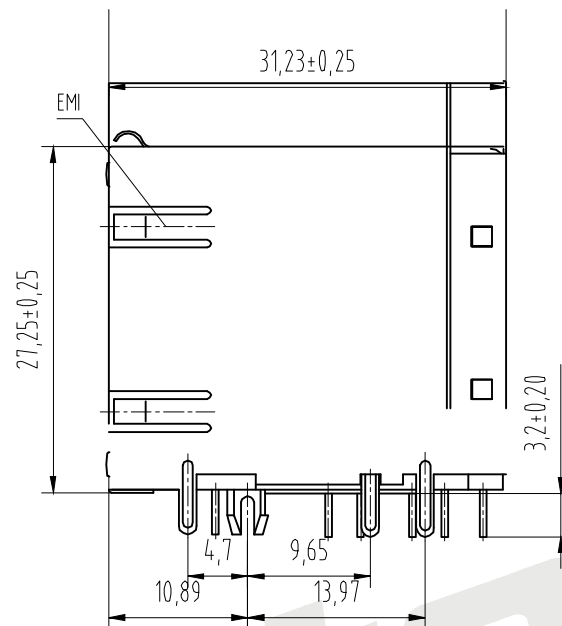
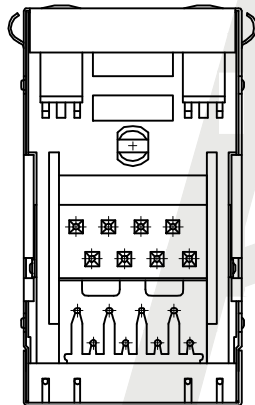
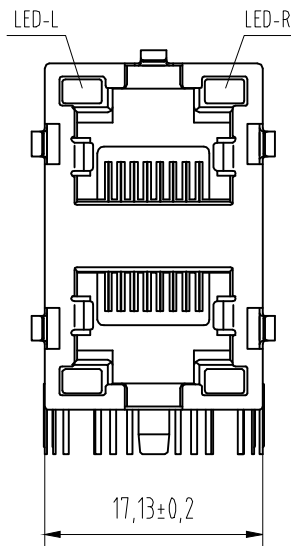


HSF



ROHS



PC Board Layout
Component Side Shown

SPECIFICATIONS:

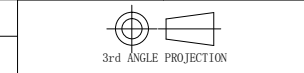
- 1. Material:
 - 1.1 Housing: Glass Filled Polyester UL94V-0
 - 1.2 Contact: Phosphor Bronze, $\phi 0.46\text{mm}$
 - 1.3 Plating: Gold Plating Over Nickel
 - 2. Electrical Characteristic:
 - 2.1 Voltage Rating: 125 VAC RMS
 - 2.2 Current Rating: 1.5 AMP
 - 2.3 Contact Resistance: 45 Milliohms Max
 - 2.4 Insulation Resistance: 1000 Megohms Min@500V DC
 - 2.5 Dielectric Withstanding Resistance: 1000V AC RMS 60HZ, 1 Min
 - 3. Mechanical Characteristic:
 - 3.1 Durability: 750 Cycles Min
 - 3.2 PCB Retention PRE-Solder: 1 LB Min
 - 4. Environmental:
 - 4.1 Storage: -40°C To 85°C
 - 4.2 Operation: 0°C To 70°C
- Mates With Modular Plug Conforming To FCC Part 68, Subpart F

ATRJ5922 - 8P - 8C - X - C1 - G - B

- | | | | | | | |
|-----------------------------|---|--|----------------------------|----------------------------|-------------------------|-------------------------|
| ① | ② | ③ | ④ | ⑤ | ⑥ | ⑦ |
| ① SERIES NO: | ② NUMBER OF POSITIONS (10P, 8P, 6P, 4P) | ③ NUMBER OF CONTACTS (10C, 8C, 6C, 4C) | ④ Contact Plating | ⑤ Shield | ⑥ Ports | ⑦ LED STYLE: |
| G0: G0ld flash | G1: 3U" Gold | G2: 5U" Gold | G3: 10U" Gold | G4: 15U" Gold | G5: 30U" Gold | SN: Tin |
| A: 1X1P | B: 1X2P | C: 1X4P | D: 1X5P | E: 1X6P | F: 1X8P | G: 2X1P |
| H: 2X2P | I: 2X3P | J: 2X4P | K: 2X6P | L: 2X8P | A: W/O Shield | B: Half Shield |
| C: Shield W/Eml | D: Shield W/O Eml | A: W/O LED | B: LEFT YELLOW/RIGHT GREEN | C: LEFT GREEN/RIGHT YELLOW | D: LEFT RED/RIGHT GREEN | E: LEFT GREEN/RIGHT RED |
| F: LEFT YELLOW/RIGHT YELLOW | G: LEFT GREEN/RIGHT GREEN | | | | | |

Unless Otherwise specified tolerance
 X. ± 0.35 X.XX: ± 0.20
 X.X: ± 0.25 X.XXX: ± 0.15

SCALE: As Shown UNIT: mm
 DRAW: Wu Feng Rong DATE: 22/03/2018
 CHECK: BobYang DATE: 22/03/2018



Antenk® ANTENK ELECTRONICS CO., LTD
 Http://www.antenk.com
 E-mail:sales@antenk.com

TITLE: RJ45 Jack side entry 2X1P shielded with LED & EMI
 DRAWING NO: ATRJ5922-8P8C-X-C1-G-B
 PRODUCT NO: ATRJ5922-8P8C-X-C1-G-B

REV	DESCRIPTION	DATE
1		
2		