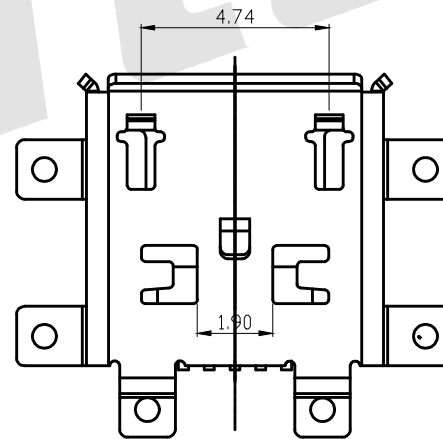
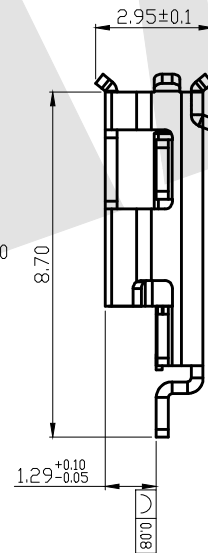
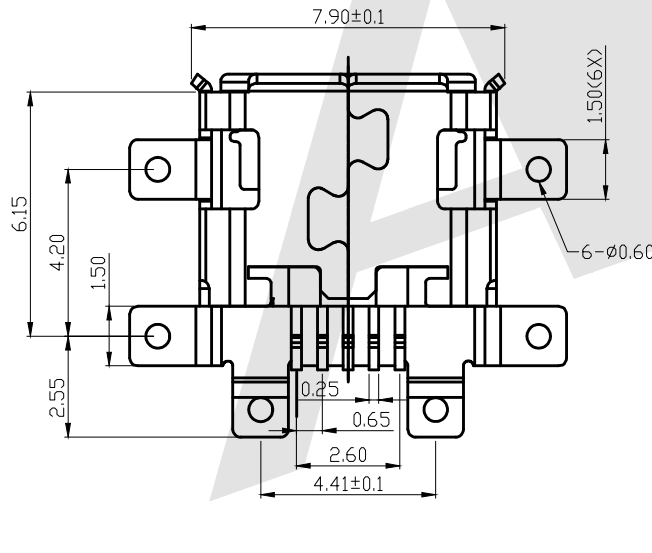


RECOMMENDED P. C. B LAYOUT (TOP VIEW)
GENERAL TOLERANCE: ±0.03



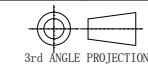
- SPECIFICATIONS:**
- Material:
 - Housing: High temperature thermoplastic with G.F, UL94V-0
 - Contact: Copper alloy, t=0.15mm
 - Shell: Stainless Steel, t=0.30mm
 - Electrical Characteristics:
 - Current rating: 1 A MAX.
 - Dielectric withstanding voltage: 100V AC for 1 minute
 - Contact resistance: 30 mΩ Max Initial, 40MΩ Max After 10000 Cycles
 - Insulation resistance: 100 MΩ Min.
 - Total mating force: 3.57 kgf Max.
 - Total unmating force: 1.0kgf min. 0.81-2.05 kgf min. after 10000 insertion/extraction cycles
 - Durability: 5000 Cycles Min.
 - Temperature range: -30° C To +80° C
- Ordering Code:

MUFM40 - X - L - X - X - X
① ② ③ ④ ⑤ ⑥

- Series No:
- Shell Material:
 - B: Brass
 - S: Stainless steel
- Insulator Material:
 - L: LCP
- Contact Material:
 - B: Brass
 - P: Phosphor Copper
- Contact Plating:
 - G0: Gold flash
 - G1: 3u" Gold
 - G2: 5u" Gold
 - G3: 10u" Gold
 - G4: 15u" Gold
 - G5: 30u" Gold
- Packing:
 - A: Tray
 - B: Bag
 - C: Tube
 - D: Tape & Reel

Unless Otherwise specified tolerance
X. ±0.35 X.XX: ±0.20
X.X: ±0.25 X.XXX: ±0.15

SCALE: As Shown	UNIT: mm
DRAW Lv Xun Hua	DATE 03/06/2019
CHECK BobYang	DATE 03/06/2019



Antenk® ANTENK ELECTRONICS CO., LTD
Http://www.antenk.com
E-mail:sales@antenk.com

TITLE:
MICRO USB 5P B Type Receptacle Connector
Six Shell SMT, Sink1.29mm

DRAWING NO: MUFM40-XLXXX
PRODUCT NO: MUFM40-XLXXX

REV	DESCRIPTION	DATE