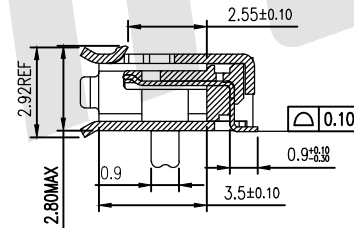
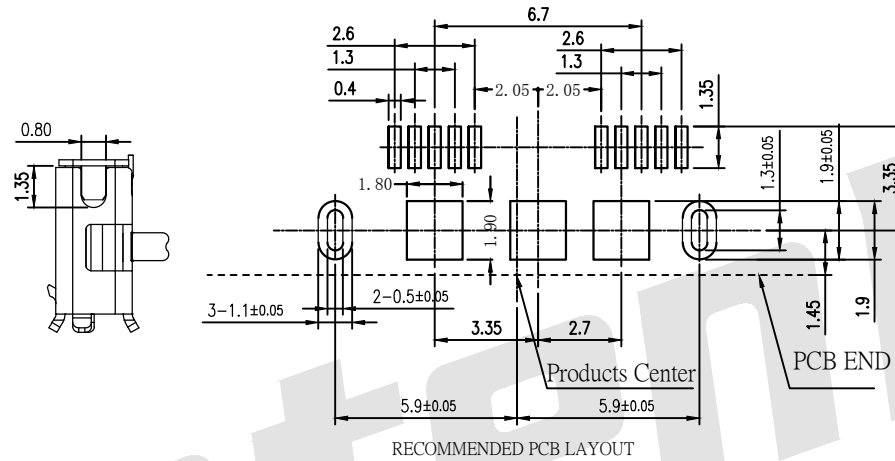
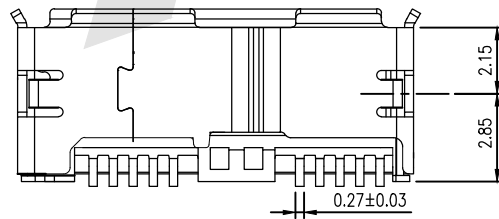
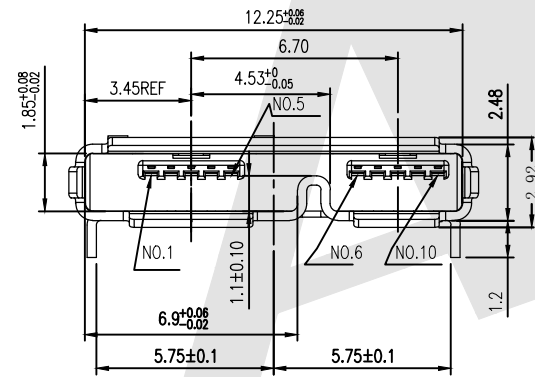
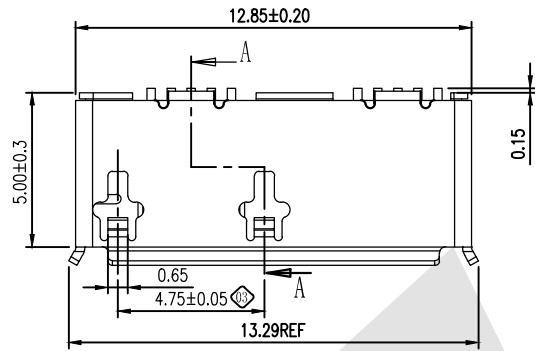


HSF



ROHS



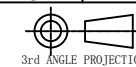
SPECIFICATIONS:  
 Contact current Rating:  
 1.8A MAX For Pin1 And Pin5 and  
 0.25A for all the other pins  
 VOLTAGE: 30V MAX  
 Dielectric Withstanding Voltage:AC 100V(RMS)  
 Insulation resistance:100Megohms Minimum.  
 Contact Resistance:  
 30mΩ Max for (VBUS AND GROUND PIN)  
 50mΩMax for other contacts  
 Mechanical Characteristics:  
 Mating Force:35 Newtons.Maximum  
 Unmating Force:10 Newtons.Mlnum.  
 8N Min After Durability  
 DURABILITY: 10000 CYCLES MIN.  
 MATERIAL:  
 Housing: THERMOPLASTIC, HIGH TEMP, 94V-0  
 Contact: copper alloy  
 Shell: copper alloy&sus  
 PLATING:  
 Contact: Au Plated on contact area  
 Tin Plated on solder area  
 Nickel underplating over all  
 Shell: Nickel Plated  
 operating Temperature:-55 to+85°  
 Ordering Code:

MU3FM05 - X - X - X - X - X  
 ① ② ③ ④ ⑤ ⑥

- ① Series No:
- ② Shell Material:  
B:Brass I:Iron  
S:stainless steel
- ③ Insulator Material:  
P:PBT+30%GF  
L:LCP
- ④ Contact Material:  
B:Brass  
P:phosphor copper
- ⑤ Contact Plating  
G0: Gold flash  
G1: 3u" Gold  
G2: 5u" Gold  
G3: 10u" Gold  
G4: 15u" Gold  
G5: 30u" Gold
- ⑥ Packing  
A:Tray  
B:Bag  
C:Tube  
D:Tape Reel

Unless Otherwise specified tolerance  
 X. ±0.35 X.XX: ±0.20  
 X.X: ±0.25 X.XXX: ±0.15

SCALE: As Shown UNIT: mm  
 DRAW Lv Xun Hua DATE 22/06/2019  
 CHECK BobYang DATE 22/06/2019



**Antenk** ANTENK ELECTRONICS CO.,LTD  
 Http://www.antenk.com  
 E-mail:sales@antenk.com

TITLE: MICRO USB 3.0 Receptacle  
 SMT, RIGHT ANGLE, TYPE AB, With  
 Thru hole mounting pegs

DRAWING NO: MU3FM05-XXXXX

PRODUCT NO: MU3FM05-XXXXX

REV	DESCRIPTION	DATE
1		
2		
3		
4		
5		