

HSF



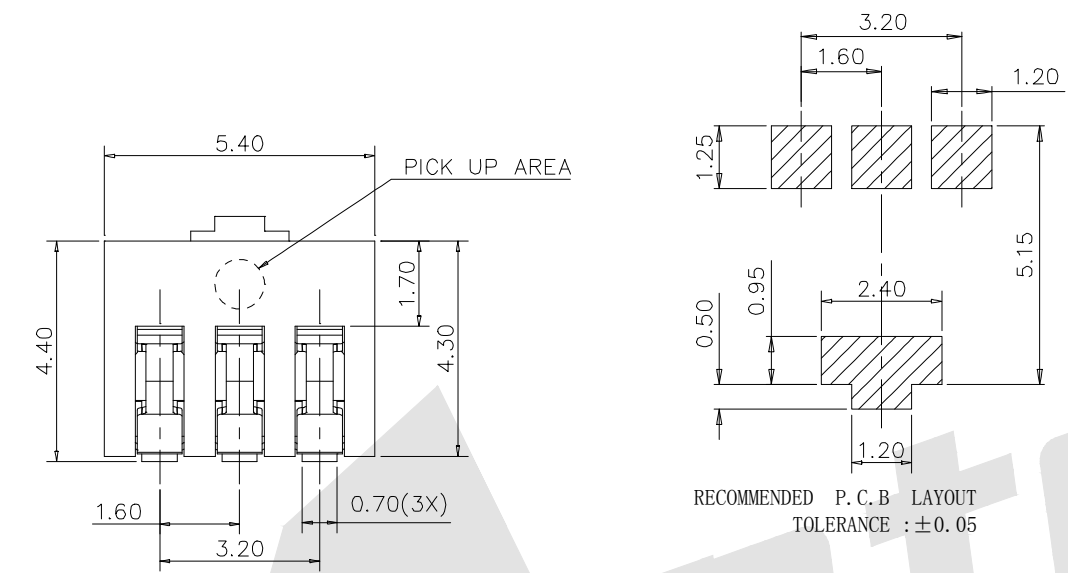
ELECTRICAL PERFORMANCES:
 RATING CURRENT:2.0 A
 RATING VOLTAGE :250 V AC
 CONTACT RESISTANCE:30mΩ
 INSULATION RESISTANCE:1000mΩ
 DIELECTRIC WITHSTANDING VOLTAGE :
 1000V AC for 1 minute
 MECHANICAL PERFORMANCE:
 DURABLY:5000 times
 NORMAL FORCE AT MATING POSITION:80g min
 OPERATION TEMPERATURE:-55°C~+125°C

Ordering Code:

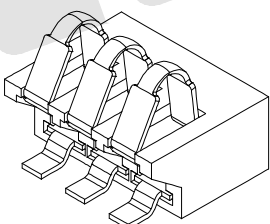
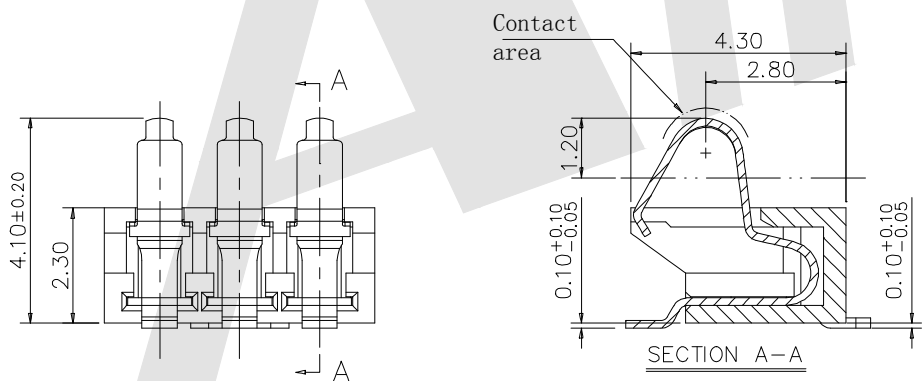
Ordering Code:

ABT03 - 03 - L - G - X - D
 ① ② ③ ④ ⑤ ⑥

- ① Series No:
 - ② No. of Contacts
 - ③ Insulator Material:
 - ④ Pitch
 - ⑤ Contact Plating:
 - ⑥ Packing:
- G0:Gold flash
 G1:3u" gold
 G2: 5u" gold
 G3:10u" gold
 G4:15u" gold
 G5:30u" gold
 P:PBT+30%GF
 L:LCP
 G:1.6mm Pitch
 A:Tray
 B:Bag
 C:Tube
 D:Tape Reel

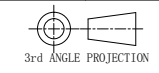


RECOMMENDED P.C.B LAYOUT
 TOLERANCE : ±0.05



Unless Otherwise specified tolerance
 X. ±0.35 X.XX: ±0.20
 X.X: ±0.25 X.XXX: ±0.15

SCALE: As Shown UNIT: mm
 DRAW Wu Sai DATE 22/03/2018
 CHECK BobYang DATE 22/03/2018



Antenk® ANTENK ELECTRONICS CO.,LTD
 Http://www.antenk.com
 E-mail:sales@antenk.com

TITLE:
 3 Circuit Battery Connector 1.6 Centers

DRAWING NO: ABT03-03-LGXD
 PRODUCT NO: ABT03-03-LGXD

REV	DESCRIPTION	DATE