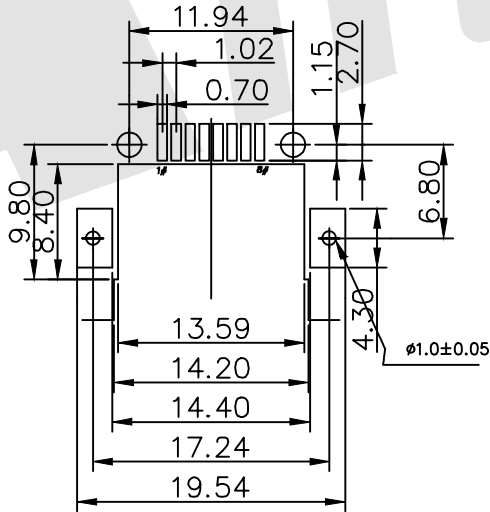
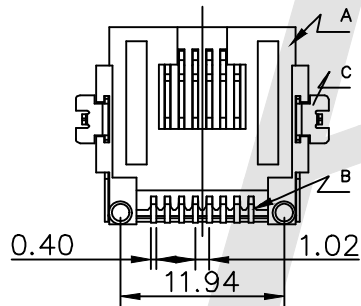
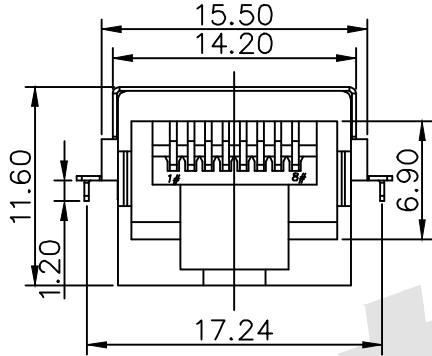
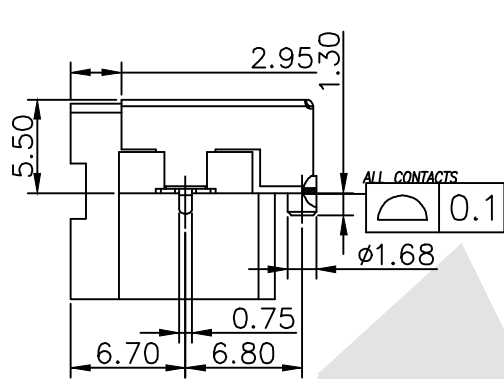


HSF



1. HOUSING MATERIAL: LCP UL94V-0
 2. CONTACT MATERIAL: DIAMETER 0.45mm PHOSPHOR BRONZE GOLD PLATING OVER NICKEL
 3. SHELL: 0.20~0.25MM THICKNESS BRASS WITH TIN PLATED
 4. MATING/UNMATING FORCE: 2.2KG .F MAX
 5. RETENTION STRENGTH: 7.7KG.F MIN BETWEEN JACK AND PLUG
 6. OPERATING LIFE: 600 CYCLES MIN
- ELECTRICAL:
1. VOLTAGE RATING: 125V AC RMS
 2. CURRENT RATING: 1.5AMP
 3. CONTACT RESISTANCE: 30 MILLIOHMS MAX
 4. INSULATION RESISTANCE: 500 MEGOHMS MIN @500V DC
 5. DIELECTRIC WITHSTANDING RESISTANCE: 1000V AC RMS 50HZ or 60Hz 1MIN
1. STORAGE : -10°C~+40°C REATIVE HUMIDITY<70%
 2. OPERATION: -40°C~+85°C

Order Code:

ATRJ5843 — ① — ② — ③ — ④ — ⑤

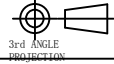
- ① SERIES NO:
- ② NUMBER OF POSITIONS (8P,6P,4P)
- ③ NUMBER OF CONTACTS (8C, 6C, 4C)
- ④ Contact Plating
G0: Gold flash
G1: 3U_s Gold
G2: 5U_s Gold
- ⑤ Shield
A: W/O Shield
B: Half Shield
C: Shield W/Eml
D: Shield W/O Eml

Unless Otherwise specified tolerance
X. ±0.35 X.XX: ±0.20
X.X: ±0.25 X.XXX: ±0.15

Antenk ANTENK ELECTRONICS CO.,LTD
Http://www.antenk.com
E-mail:sales@antenk.com

SCALE: As Shown UNIT: mm
DRAW Wu Sai DATE 22/03/2018
CHECK BobYang DATE 22/03/2018

TITLE:
RJ45 8P8C Sink in Type 5.50mm Half shield



DRAWING NO: ATRJ5843-8P8C-X-A
PRODUCT NO: ATRJ5843-8P8C-X-A

REV	DESCRIPTION	DATE