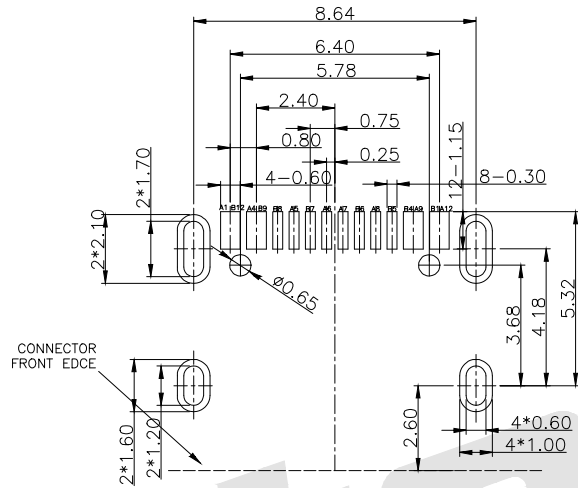
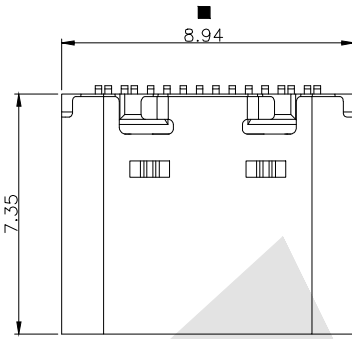
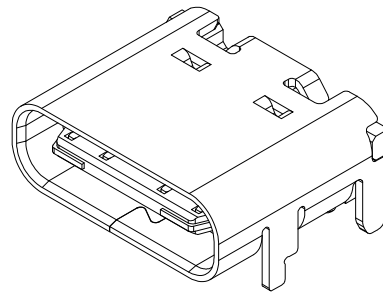
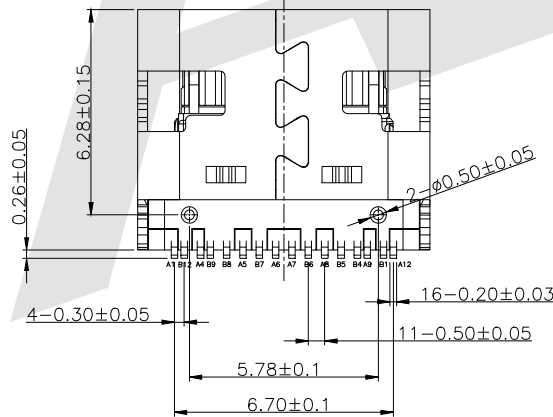
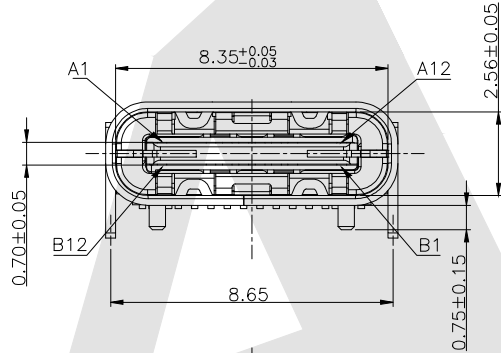
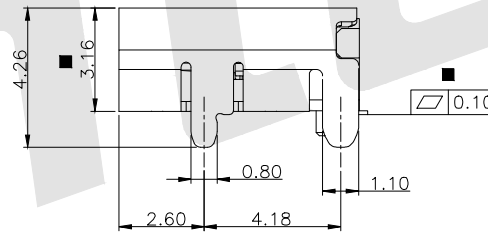


HSF



RECOMMENDED P.C.B. LAYOUT
TOLERANCE UNSPECIFIED ±0.05mm



SPECIFICATIONS:

MECHANICAL:

- 1 Current rating:3.0A MAX
- 2 Voltage :100V VAC
- 3 Temperature range:-30°C TO +85°C
- 4.Contact resistance:40 milliohms max
- 5.Insulation resistance:100 megohms min
- 6.Insertion force:5N-20N
- 7.Unmating force:8N-20N

U3.1FM06 - S - L - X - X - X
① ② ③ ④ ⑤ ⑥

- ① Series No:
- ② Shell Material:
S:stainless steel
- ③ Insulator Material:
L:LCP
- ④ Contact Material:
B:Brass
P:phosphor copper
- ⑤ Contact Plating
G0: Gold flash
G1: 3u" Gold
G2: 5u" Gold
G3: 10u" Gold
G4: 15u" Gold
G5: 30u" Gold
- ⑥ Packing
A:Tray
B:Bag
C:Tube
D:Tape&Reel

A1	GND	B12	GND
A4	VBUS	B9	VBUS
A5	CC1	B8	SBU2
A6	DP1	B7	DN2
A7	DN1	B6	DP2
A8	SBU1	B5	CC2
A9	VBUS	B4	VBUS
A12	GND	B1	GND
PIN	SIGNAL NAME	PIN	SIGNAL NAME

Unless Otherwise specified tolerance
X. ±0.35 X.XX: ±0.20
X.X: ±0.25 X.XXX: ±0.15

SCALE: As Shown	UNIT: mm
DRAW Lv Xun Hua	DATE 08/07/2019
CHECK BobYang	DATE 08/07/2019

Antenk® ANTENK ELECTRONICS CO.,LTD
Http://www.antenk.com
E-mail:sales@antenk.com

TITLE:
USB3.1 C TYPE FEMALE L=7.3 single row, 16P SMT,
with 4legs through hole,with locating pegs

DRAWING NO: U3.1FM06-SLXXX

PRODUCT NO: U3.1FM06-SLXXX



3rd ANGLE PROJECTION

REV	DESCRIPTION	DATE
1		
2		
3		
4		
5		