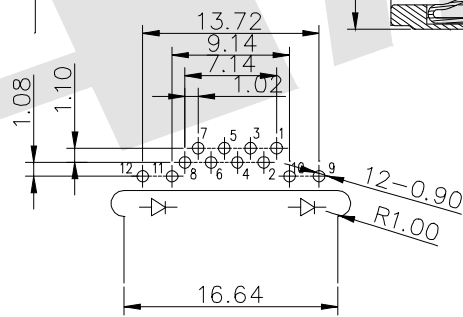
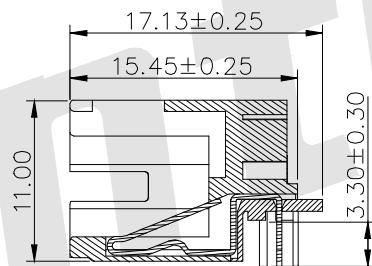
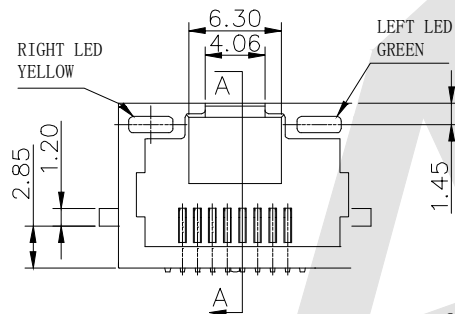
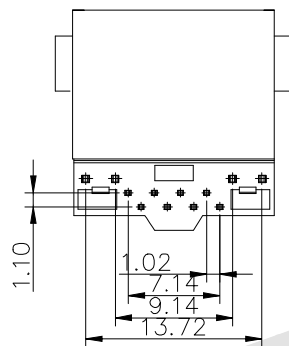
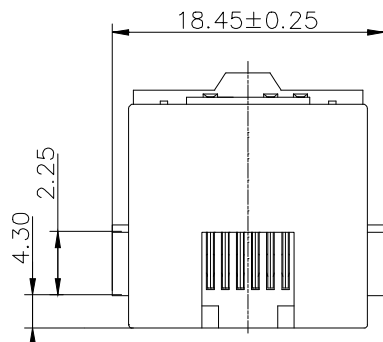
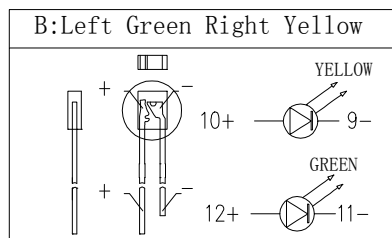
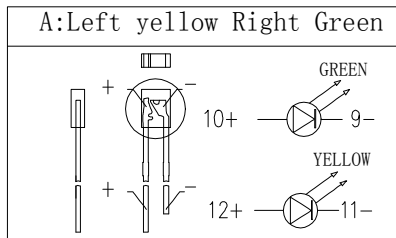


HSF



RECOMMENDED PCB LAYOUT (TOP VIEW)
(ALL TOLERANCES ARE ±0.05)



- HOUSING MATERIAL: GLASS FILLED POLYESTER UL94V-0
- CONTACT MATERIAL: COPPER ALLOY 0.35mm MIN THICKNESS
- PLATING: 1, 3, 5, 15, 30u" GOLD PLATED ON CONTACT AREA 100u" MIN MATTIE TIN PLATED ON SOLDERING AREA 50u" MIN. NICKEL PLATED OVERALL
- SHELL: COPPER ALLOY 0.25MM THICKNESS
- L=GREEN R=YELLOW

- ELECTRICAL:
- VOLTAGE RATING: 125V AC RMS
 - CURRENT RATING: 1.5AMP
 - CONTACT RESISTANCE: 30 MILLIOHMS MAX
 - INSULATION RESISTANCE: 500 MEGOHMS MIN @500V DC
 - DIELECTRIC WITHSTANDING RESISTANCE: 1000V AC RMS 50HZ or 60Hz 1MIN

- MECHANICAL:
- DURABILITY: 750 CYCLES MIN
 - PCB RETENTION PER-SOLDER: 1LB MIN
- ENVIRONMENTAL:
- STORAGE: -40°C ~ +85°C
 - OPERATION: 0°C ~ +70°C

Order Code:

ATRJ5835B - 8P - 8C - X - A - X

① ② ③ ④ ⑤ ⑥

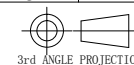
- ① SERIES NO:
- ② NUMBER OF POSITIONS (8P, 6P, 4P)
- ③ NUMBER OF CONTACTS (8C, 6C, 4C)
- ④ Contact Plating
G0: Gold flash
G1: 3U Gold
G2: 5U Gold
G3: 10U Gold
G4: 15U Gold
G5: 30U Gold
SN: Tin
- ⑤ Shield
A: W/O Shield
B: Half Shield
C: Shield W/Eml
D: Shield W/O Eml
- ⑥ LED STYLE:
A: LEFT YELLOW/RIGHT GREEN
B: LEFT GREEN/RIGHT YELLOW
C: LEFT RED/RIGHT GREEN
D: LEFT GREEN/RIGHT RED
E: LEFT YELLOW/RIGHT YELLOW
F: LEFT GREEN/RIGHT GREEN

Unless Otherwise specified tolerance
X. ±0.35 X.XX: ±0.20
X.X: ±0.25 X.XXX: ±0.15

Antenk® ANTENK ELECTRONICS CO., LTD
Http://www.antenk.com
E-mail: sales@antenk.com

SCALE: As Shown UNIT: mm
DRAW Wu Feng Rong DATE 22/03/2018
CHECK BobYang DATE 22/03/2018

TITLE: RJ45 8P8C Sink in Type



DRAWING NO: ATRJ5835B-8P8C-X-A-X
PRODUCT NO: ATRJ5835B-8P8C-X-A-X

REV	DESCRIPTION	DATE
1		
2		
3		
4		
5		